



BXUV.U403 Fire Resistance Ratings - ANSI/UL 263

Page Bottom

Design/System/Construction/Assembly Usage Disclaimer

- Authorities Having Jurisdiction should be consulted in all cases as to the particular requirements covering the installation and use of UL Listed or Classified products, equipment, system, devices, and materials.
- Authorities Having Jurisdiction should be consulted before construction.
- Fire resistance assemblies and products are developed by the design submitter and have been investigated by UL for compliance with applicable requirements. The published information cannot always address every construction nuance encountered in the field.
- When field issues arise, it is recommended the first contact for assistance be the technical service staff provided by the product manufacturer noted for the design. Users of fire resistance assemblies are advised to consult the general Guide Information for each product category and each group of assemblies. The Guide Information includes specifics concerning alternate materials and alternate methods of construction.
- Only products which bear UL's Mark are considered as Classified, Listed, or Recognized.

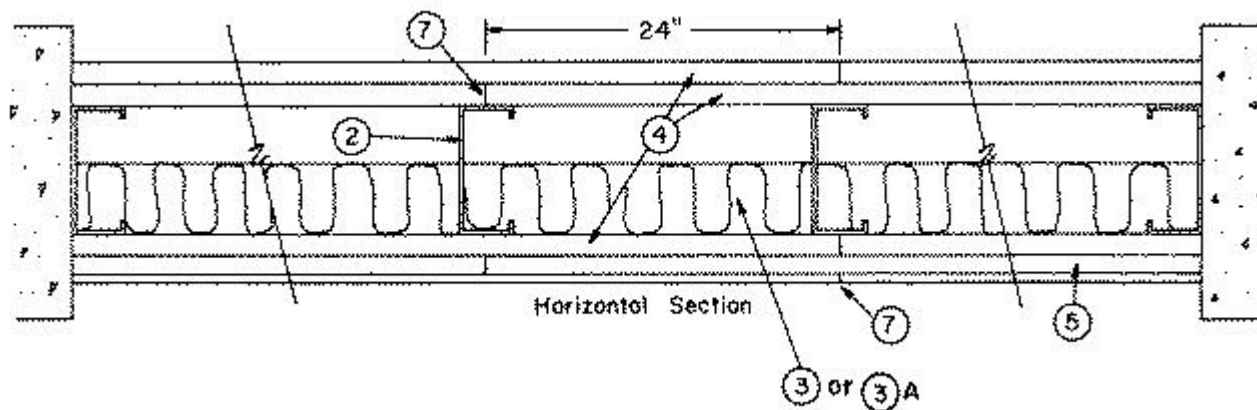
Fire Resistance Ratings - ANSI/UL 263

See General Information for Fire Resistance Ratings - ANSI/UL 263

Design No. U403

March 23, 2009

Nonbearing Wall Rating — 2 HR.



1. **Floor and Ceiling Runners** — Channel shaped, 1-1/4 in. deep by 3-5/8 in. wide, fabricated from min 0.020 in. thick (25 gauge) galv steel, attached to floor and ceiling with fasteners spaced 24 in. O.C.

1A. **Framing Members - Floor and Ceiling Runner*** — Not shown - In lieu of Item 1 — For use with Item 2A, proprietary channel shaped runners, 1-1/4 in. deep by 3-5/8 in. wide fabricated from min 0.0200 in. thick galv steel, attached to floor and ceiling with fasteners spaced 24 in. OC max.

MARINO\WARE A DIV OF WARE INDUSTRIES

INC — Viper20S™ Track, Viper20D™ Track

2. **Metal Studs** — Channel shaped, 3-5/8 in. wide with 1-1/4-in. legs, 1/4 in. folded back return flange in legs, min 0.020 in. thick (25 gauge) galv steel. Studs 3/8 in. less in lengths than assembly heights.

2A. **Framing Members - Metal Studs*** — Not shown - In lieu of Item 2 — For use with Item 1A, proprietary channel shaped steel studs, 1-1/4 in. deep by 3-5/8 in. wide fabricated from min 0.0200 in. thick galv steel. Studs 3/8 in. less in lengths than assembly heights.

MARINO\WARE A DIV OF WARE INDUSTRIES

INC — Viper20S™, Viper20D™

3. **Batts and Blankets*** — Optional — Mineral wool or glass fiber insulation, partially or completely filling stud cavity.

CERTAINTED CORP

GUARDIAN FIBERGLASS INC

JOHNS MANVILLE INTERNATIONAL INC

KNAUF INSULATION GMBH

OWENS CORNING

3A. **Fiber, Sprayed*** — As an alternate to Batts and Blankets (Item 3) — Spray applied cellulose material. The fiber is applied with water to completely fill the enclosed cavity in accordance with the application instructions supplied with the product. Nominal dry density of 3.0 lb/ft³. Alternate application method: The fiber is applied with U.S. Greenfiber LLC Type AD100 hot melt adhesive at a nominal ratio of one part adhesive to 6.6 parts fiber to completely fill the enclosed cavity in accordance with the application instructions supplied with the product. Nominal dry density of 2.5 lb/ft³.

U S GREENFIBER L L C — Cocoon2 Stabilized or Cocoon-FRM (Fire Rated Material)

3B. **Fiber, Sprayed*** — As an alternate to Batts and Blankets (Item 3) and Item 3A - Spray applied cellulose insulation material. The fiber is applied with water to interior surfaces in accordance with the application instructions supplied with the product. Applied to completely fill the enclosed cavity. Minimum dry density of 4.3 pounds per cubic ft.

NU-WOOL CO INC — Cellulose Insulation

4. **Gypsum Board*** — 5/8 in. thick, 48 in. wide sheets. Inner layer applied vertically, attached to studs and floor and ceiling runners with 0.127 in. diam by 1 in. long self-drilling, self-tapping Phillips head steel screws spaced 32 in. O.C., joints located over studs. Outer layer on one side applied vertically and attached to studs and runners with 1-5/8 in. long self-drilling, self-tapping steel screws spaced 12 in. O.C. along ends and edges of boards and 24 in. O.C. in the field. Outer layer joints offset from inner layer joints and located over studs.

AMERICAN GYPSUM CO — Type AG-C

CERTAINTED GYPSUM INC — Type FRPC, ProRoc Type C or SF-3.

CERTAINTED GYPSUM CANADA INC — ProRoc Type C.

TEMPLE-INLAND FOREST PRODUCTS CORP — Type TG-C

5. **Gypsum Board** — * — 1/2 in. thick, 48 in. wide sheets. Sheets applied vertically and attached to studs and runners with 1-5/8 in. long self-drilling, self-tapping steel screws spaced 12 in. O.C. along ends and edges of boards and 24 in. O.C. in the field. Joints offset from inner layer joints.

AMERICAN GYPSUM CO — Type AG-C

CERTAINTED GYPSUM INC — Type FRPC, ProRoc Type C or SF-3.

CERTAINTED GYPSUM CANADA INC — ProRoc Type C.

TEMPLE-INLAND FOREST PRODUCTS CORP — Type TG-C

6. **Gypsum Board** — * — 1/4 or 3/8 in. thick 48 in. wide sheets, placed vertically and laminated to 1/2 in. wallboard with 3/4 in. diam dabs of vinyl base paneling adhesive spaced vertically and horizontally 12 in. O.C. Joints offset from joints of center layer of 1/2-in. wallboard and located over studs.

CERTAINTED GYPSUM INC — Type S.

7. **Joints - (Not Shown)** — Outer layer joints on both sides of wall (finish layer only) covered with paper tape and joint compound. Screw heads covered with joint compound.

*Bearing the UL Classification Mark

Last Updated on 2009-03-23

[Questions?](#)

[Notice of Disclaimer](#)

[Page Top](#)

[Copyright © 2009 Underwriters Laboratories Inc.®](#)

The appearance of a company's name or product in this database does not in itself assure that products so identified have been manufactured under UL's Follow-Up Service. Only those products bearing the UL Mark should be considered to be Listed and covered under UL's Follow-Up Service. Always look for the Mark on the product.

UL permits the reproduction of the material contained in the Online Certification Directory subject to the following conditions: 1. The Guide Information, Designs and/or Listings (files) must be presented in their entirety and in a non-misleading manner, without any manipulation of the data (or drawings). 2. The statement "Reprinted from the Online Certifications Directory with permission from Underwriters Laboratories Inc." must appear adjacent to the extracted material. In addition, the reprinted material must include a copyright notice in the following format: "Copyright © 2009 Underwriters Laboratories Inc.®"

An independent organization working for a safer world with integrity, precision and knowledge.

