



## BXUV.U495 Fire Resistance Ratings - ANSI/UL 263

Page Bottom

### Design/System/Construction/Assembly Usage Disclaimer

- Authorities Having Jurisdiction should be consulted in all cases as to the particular requirements covering the installation and use of UL Listed or Classified products, equipment, system, devices, and materials.
- Authorities Having Jurisdiction should be consulted before construction.
- Fire resistance assemblies and products are developed by the design submitter and have been investigated by UL for compliance with applicable requirements. The published information cannot always address every construction nuance encountered in the field.
- When field issues arise, it is recommended the first contact for assistance be the technical service staff provided by the product manufacturer noted for the design. Users of fire resistance assemblies are advised to consult the general Guide Information for each product category and each group of assemblies. The Guide Information includes specifics concerning alternate materials and alternate methods of construction.
- Only products which bear UL's Mark are considered as Classified, Listed, or Recognized.

### Fire Resistance Ratings - ANSI/UL 263

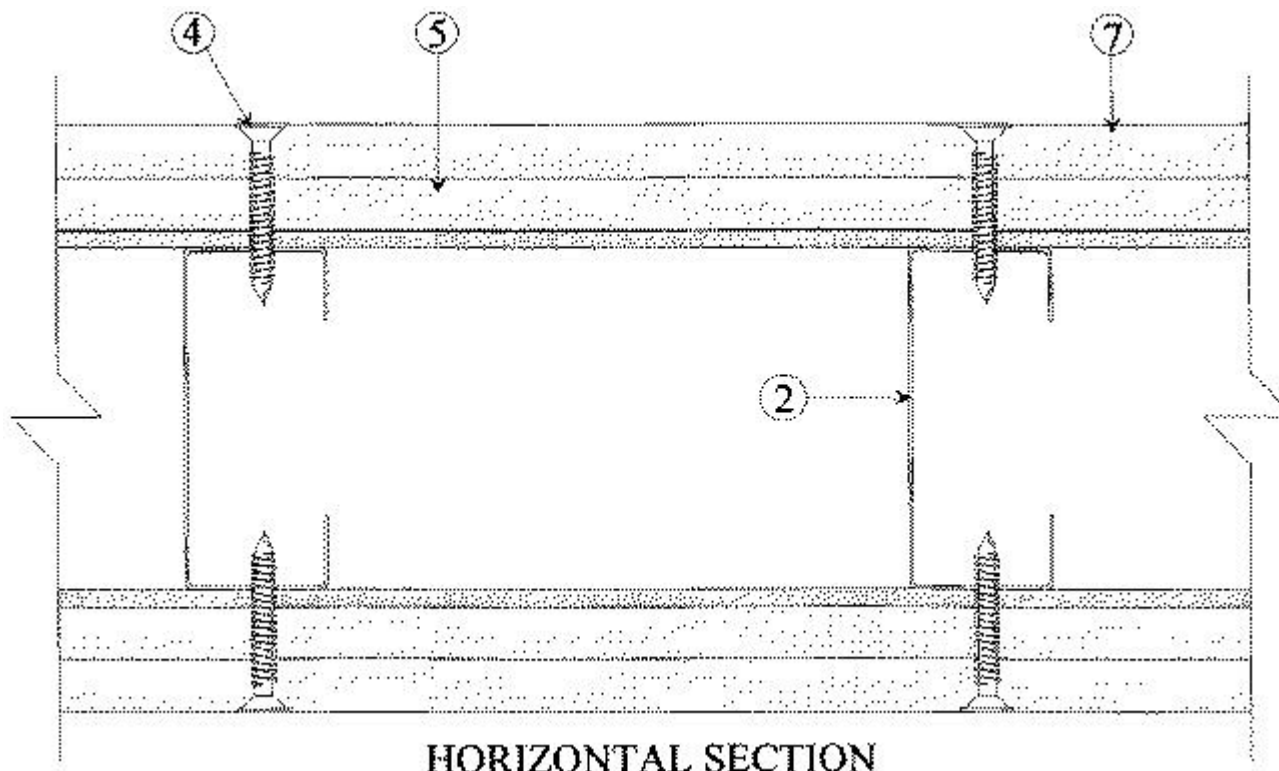
[See General Information for Fire Resistance Ratings - ANSI/UL 263](#)

Design No. U495

March 23, 2009

Nonbearing Wall Rating — 1 or 2 HR.

(See Items 5 and 7)



1. **Floor and Ceiling Runners** — (Not Shown) — Channel-shaped runners, 3-5/8 in. wide (min), 1-1/4 in. legs, formed from No. 25 MSG (min) galv steel, attached to floor and ceiling with fasteners spaced 24 in. OC, max.

1A. **Framing Members - Floor and Ceiling Runner\*** — Not shown - In lieu of Item 1 — For use with Item 2A,

proprietary channel shaped runners, 1-1/4 in. deep by 3-5/8 in. wide fabricated from min 0.0200 in. thick galv steel, attached to floor and ceiling with fasteners spaced 24 in. OC max.

#### MARINO\WARE A DIV OF WARE INDUSTRIES

**INC** — Viper20S™ Track, Viper20D™ Track

2. **Steel Studs** — Channel-shaped 3-5/8 in. wide (min), 1-1/4 in. legs, 3/8 in. folded back returns, formed from No. 25 MSG (min) galv steel, spaced 24 in. OC max.

2A. **Framing Members - Metal Studs\*** — Not shown - In lieu of Item 2 — For use with Item 1A, proprietary channel shaped steel studs, 1-1/4 in. deep by 3-5/8 in. wide fabricated from min 0.0200 in. thick galv steel. Studs 3/8 in. less in lengths than assembly heights. Spaced 24 in. OC max.

#### MARINO\WARE A DIV OF WARE INDUSTRIES

**INC** — Viper20S™, Viper20D™

3. **Batts and Blankets\*** — (Optional, not shown) — Mineral wool or glass fiber batts partially or completely filling stud cavity.

See Batts and Blankets (BZJZ) category for names of Classified companies.

3A. **Fiber, Sprayed\*** — As an alternate to Batts and Blankets (Item 3) — Spray applied cellulose material. The fiber is applied with water to completely fill the enclosed cavity in accordance with the application instructions supplied with the product. Nominal dry density of 3.0 lb/ft<sup>3</sup>. Alternate application method: The fiber is applied with U.S. Greenfiber LLC Type AD100 hot melt adhesive at a nominal ratio of one part adhesive to 6.6 parts fiber to completely fill the enclosed cavity in accordance with the application instructions supplied with the product. Nominal dry density of 2.5 lb/ft<sup>3</sup>.

**U S GREENFIBER L L C** — Cocoon2 Stabilized or Cocoon-FRM (Fire Rated Material)

3B. **Fiber, Sprayed\*** — As an alternate to Batts and Blankets (Item 3) and Item 3A - Spray applied cellulose insulation material. The fiber is applied with water to interior surfaces in accordance with the application instructions supplied with the product. Applied to completely fill the enclosed cavity. Minimum dry density of 4.3 pounds per cubic ft.

**NU-WOOL CO INC** — Cellulose Insulation

4. **Screws** — Type S self-tapping screws, 1-1/4 or 2 in. long, (1 Hr) and 2-1/2 in. long (2 Hr).

5. **Building Units\*** — For 1 Hr Rating — Nom 5/8 or 3/4 in. thick, 4 ft wide, faced gypsum wallboard panels with the faced side on the interior wall cavity. Panels attached to studs and floor and ceiling runners with screws spaced 8 in. OC along the edges of the panel and 12 in. OC in the field of the panel. Joints oriented vertically and staggered on opposite sides of the assembly.

**GENERAL ELECTRIC CO** — Type LexCore

**MOMENTIVE PERFORMANCE MATERIALS** — Type CoreGuard.

6. **Joint Tape and Compound** — (not shown) — Vinyl, dry or premixed joint compound, applied in two coats to joints and screw heads; paper tape, 2 in. wide, embedded in first layer of compound over all joints.

7. **Gypsum Board\*** — For 2 Hr Rating — any Classified 5/8 in. thick (minimum), 4 ft wide, wallboard applied over exterior face of Building Unit (Item 5). Wallboard to be applied vertically with joints staggered 24 in. from Building Unit (Item 5) and attached to studs and floor and ceiling runners with screws spaced 8 in. OC.

See Gypsum Board (CKNX) Category for names of manufacturers.

\*Bearing the UL Classification Mark

Last Updated on 2009-03-23

[Questions?](#)

[Notice of Disclaimer](#)

[Page Top](#)

Copyright © 2009 Underwriters Laboratories Inc.®

The appearance of a company's name or product in this database does not in itself assure that products so identified have been

manufactured under UL's Follow-Up Service. Only those products bearing the UL Mark should be considered to be Listed and covered under UL's Follow-Up Service. Always look for the Mark on the product.

UL permits the reproduction of the material contained in the Online Certification Directory subject to the following conditions: 1. The Guide Information, Designs and/or Listings (files) must be presented in their entirety and in a non-misleading manner, without any manipulation of the data (or drawings). 2. The statement "Reprinted from the Online Certifications Directory with permission from Underwriters Laboratories Inc." must appear adjacent to the extracted material. In addition, the reprinted material must include a copyright notice in the following format: "Copyright © 2009 Underwriters Laboratories Inc.®"

An independent organization working for a safer world with integrity, precision and knowledge.

