



BXUV.V449 Fire Resistance Ratings - ANSI/UL 263

[Page Bottom](#)

Design/System/Construction/Assembly Usage Disclaimer

- Authorities Having Jurisdiction should be consulted in all cases as to the particular requirements covering the installation and use of UL Listed or Classified products, equipment, system, devices, and materials.
- Authorities Having Jurisdiction should be consulted before construction.
- Fire resistance assemblies and products are developed by the design submitter and have been investigated by UL for compliance with applicable requirements. The published information cannot always address every construction nuance encountered in the field.
- When field issues arise, it is recommended the first contact for assistance be the technical service staff provided by the product manufacturer noted for the design. Users of fire resistance assemblies are advised to consult the general Guide Information for each product category and each group of assemblies. The Guide Information includes specifics concerning alternate materials and alternate methods of construction.
- Only products which bear UL's Mark are considered as Classified, Listed, or Recognized.

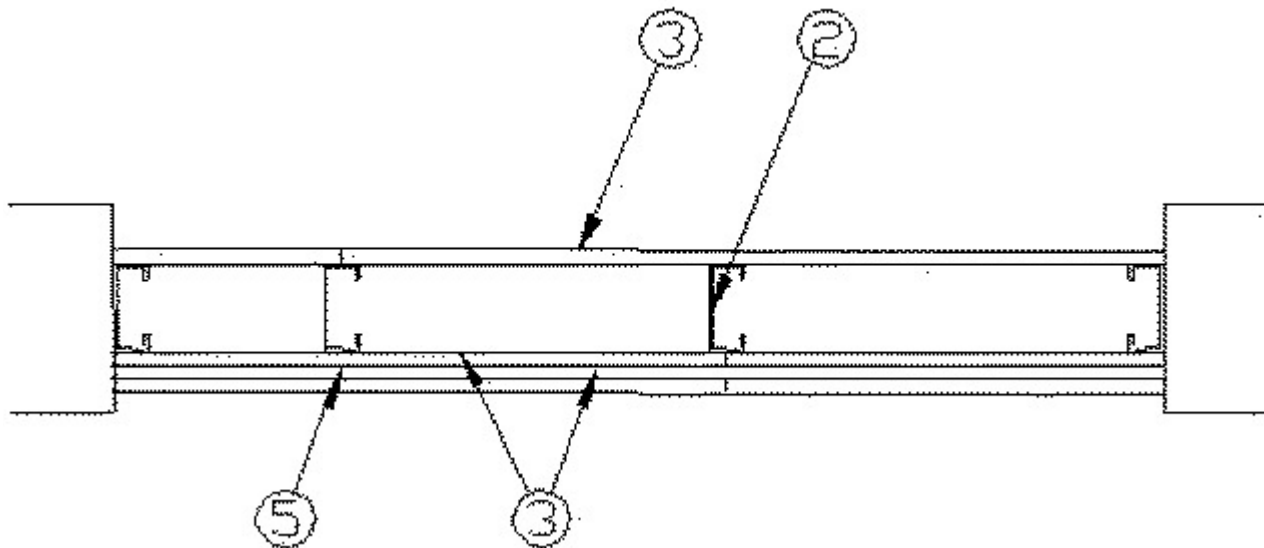
Fire Resistance Ratings - ANSI/UL 263

[See General Information for Fire Resistance Ratings - ANSI/UL 263](#)

Design No. V449

March 23, 2009

Non-Bearing Wall Rating - 2 hr.



1. **Floor and Ceiling Runners** — (Not Shown) — Channel shaped, fabricated from min 25 MSG corrosion-protected steel, min width to accommodate stud size, with min 1 in. long legs, attached to floor and ceiling with fasteners 24 in. OC max.

1A. **Framing Members - Floor and Ceiling Runner*** — Not shown - In lieu of Item 1 — For use with Item 2A, proprietary channel shaped runners, min width to accommodate stud size, with 1-1/4 in. long legs fabricated from min 0.0200 in. thick galv steel, attached to floor and ceiling with fasteners spaced 24 in. OC max.

MARINO\WARE A DIV OF WARE INDUSTRIES

INC — Viper20S™ Track, Viper20D™ Track

2. **Steel Studs** — Channel shaped, fabricated from min 25 MSG corrosion-protected steel, 3-1/2 in. min width, min

1-1/4 in. flanges and 1/4 in. return, spaced a max of 24 in. OC. Studs to be cut 3/8 to 3/4 in. less than assembly height.

2A. Framing Members - Metal Studs* — Not shown - In lieu of Item 2 — For use with Item 1A, proprietary channel shaped steel studs, 1-1/4 in. deep by 3-1/2 in. min width fabricated from min 0.0200 in. thick galv steel. Studs 3/8 to 3/4 in. less in lengths than assembly heights.

MARINO\WARE A DIV OF WARE INDUSTRIES

INC — Viper20S™, Viper20D™

3. Gypsum Board* — 5/8 in. thick, 4 ft. wide with beveled, square or tapered edges. Applied vertically with joints centered over studs and staggered between layers.

NATIONAL GYPSUM CO — 5/8 in. thick Type FSW

4. Fasteners — (Not shown)- For base layer, 1-1/8 in. Type S screws used to attach panels to studs, spaced 8 in. OC. around perimeter and 12 in. OC. in field. Second layer, 1-5/8 in. long Type S screws spaced 12 in. OC. around perimeter and 12 in. OC. in field. Second layer screws staggered 6 in. OC. from base layer. Face layer, 2-1/4 in. Type S screws spaced 8 in. OC. around perimeter and 12 in. OC. in field. Face layer perimeter screws staggered 1 in. OC. from second layer and staggered 6 in. OC. in field.

5. Joint Tape and Compound — Vinyl or casein, dry or premixed joint compound applied in two coats to joints and screw heads of outer layers. Paper tape, nom 2 in. wide, embedded in first layer of compound over all joints of outer panels.

*Bearing the UL Classification Mark

Last Updated on 2009-03-23

[Questions?](#)

[Notice of Disclaimer](#)

[Page Top](#)

[Copyright © 2009 Underwriters Laboratories Inc.®](#)

The appearance of a company's name or product in this database does not in itself assure that products so identified have been manufactured under UL's Follow-Up Service. Only those products bearing the UL Mark should be considered to be Listed and covered under UL's Follow-Up Service. Always look for the Mark on the product.

UL permits the reproduction of the material contained in the Online Certification Directory subject to the following conditions: 1. The Guide Information, Designs and/or Listings (files) must be presented in their entirety and in a non-misleading manner, without any manipulation of the data (or drawings). 2. The statement "Reprinted from the Online Certifications Directory with permission from Underwriters Laboratories Inc." must appear adjacent to the extracted material. In addition, the reprinted material must include a copyright notice in the following format: "Copyright © 2009 Underwriters Laboratories Inc.®"

An independent organization working for a safer world with integrity, precision and knowledge.

