



## **BXUV.V452 Fire Resistance Ratings - ANSI/UL 263**

[Page Bottom](#)

---

### **Design/System/Construction/Assembly Usage Disclaimer**

- Authorities Having Jurisdiction should be consulted in all cases as to the particular requirements covering the installation and use of UL Listed or Classified products, equipment, system, devices, and materials.
  - Authorities Having Jurisdiction should be consulted before construction.
  - Fire resistance assemblies and products are developed by the design submitter and have been investigated by UL for compliance with applicable requirements. The published information cannot always address every construction nuance encountered in the field.
  - When field issues arise, it is recommended the first contact for assistance be the technical service staff provided by the product manufacturer noted for the design. Users of fire resistance assemblies are advised to consult the general Guide Information for each product category and each group of assemblies. The Guide Information includes specifics concerning alternate materials and alternate methods of construction.
  - Only products which bear UL's Mark are considered as Classified, Listed, or Recognized.
- 

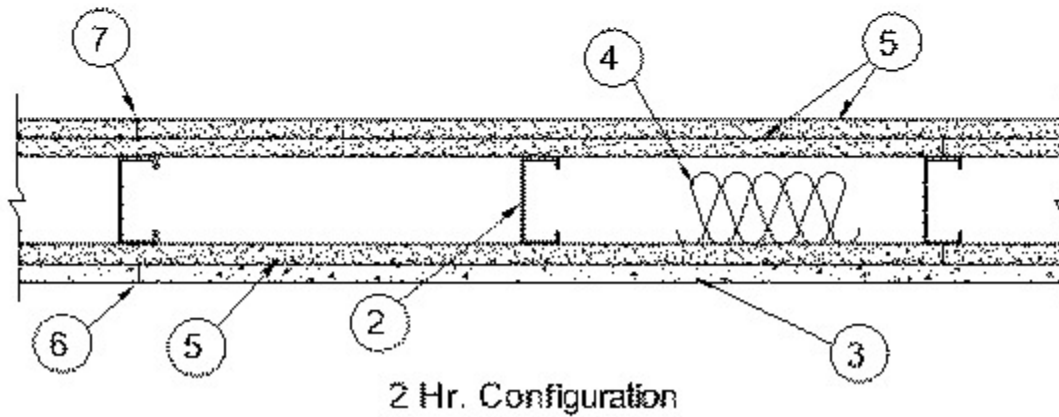
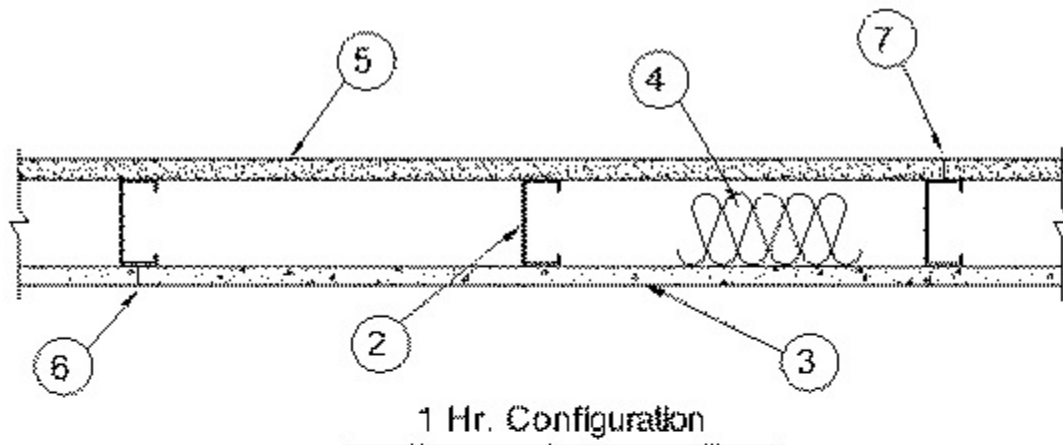
### **Fire Resistance Ratings - ANSI/UL 263**

[See General Information for Fire Resistance Ratings - ANSI/UL 263](#)

**Design No. V452**

March 23, 2009

**Nonbearing Wall Rating — 1 and 2 Hr (See Items 3, 5 and 5A)**



1. **Steel Floor and Ceiling Runners** — (Not Shown) - Channel shaped, 3-5/8 in. wide by 1-1/4 in. deep, fabricated from min 25 MSG galvanized steel. Attached to floor and ceiling with steel fasteners spaced 24 in. OC max.

1A. **Framing Members - Floor and Ceiling Runner\*** — Not shown - In lieu of Item 1 — For use with Item 2A, proprietary channel shaped runners, 1-1/4 in. deep by 3-5/8 in. wide fabricated from min 0.0200 in. thick galv steel, attached to floor and ceiling with fasteners spaced 24 in. OC max.

**MARINO\WARE A DIV OF WARE INDUSTRIES**

INC — Viper20S™ Track, Viper20D™ Track

2. **Steel Studs** — Channel shaped, fabricated from min 25 MSG galvanized steel, min 3-5/8 in. deep, min 1-1/4 in. flanges and 1/4 in. return, spaced max 16 in. OC. Studs to be cut 1/2 in. less than assembly height and friction-fitted into floor and ceiling runners.

2A. **Framing Members - Metal Studs\*** — Not shown - In lieu of Item 2 — For use with Item 1A, proprietary channel shaped steel studs, 1-1/4 in. deep by 3-5/8 in. wide fabricated from min 0.0200 in. thick galv steel. Studs 1/2 in. less in lengths than assembly heights. Spaced 16 in. OC max.

**MARINO\WARE A DIV OF WARE INDUSTRIES**

INC — Viper20S™, Viper20D™

3. **Cementitious Backer Units\*** — 1/2 in., 5/8 in., 3/4 in. or 1 in. thick, min. 32 in. wide. **1 Hr System** - Applied vertically or horizontally with vertical joints centered over studs. Fastened to studs and runners with 1-1/4 in. long, sharp point cement board screws spaced a max of 8 in. OC. When 4 ft. wide boards are used, horizontal joints need not be backed by framing. When boards less than 4 ft. wide are used, they shall be applied vertically, or one row of horizontal joints shall be backed by steel studs if applied horizontally. All vertical joints staggered one stud cavity from gypsum board vertical joints on the opposite side of studs. **2-Hr System** - Applied vertically with vertical joints centered over studs. Face layer fastened over gypsum board to studs and runners with 1-5/8 in. long, sharp point cement board screws spaced a max of 8 in. OC. All face layer joints offset min 16 in. from underlying base layer joints. Base layer joints shall be staggered from base layer joints on the opposite side of the wall.

**NATIONAL GYPSUM CO** — PermaBase.

4. **Batts and Blankets\*** — Nom. 3 in. thick mineral wool batts having a min. density of 2.6 lbs per cubic foot, friction-fitted between studs. See **Batts and Blankets (BKNV or BZJZ)** Categories for names of Classified companies.

5. **Gypsum Board\* — 1-Hr System** - 5/8 in. thick, with square or tapered edges, applied vertically with vertical joints centered over studs. Fastened to studs and runners with 1-1/8 in. long Type S screws spaced max 8 in. OC at vertical edges and spaced max 12 in. OC in the field. Vertical joints staggered one stud cavity from cement board vertical joints on opposite side of studs.

**NATIONAL GYPSUM CO** — Types FSW, FSK, FSW-C, FSK-C, or FSW-5.

5A. **Gypsum Board\* — 2-Hr System** - 1/2 in. thick, with square or tapered edges, applied vertically with vertical joints centered over studs. Base layers fastened with 1 in. long Type S screws spaced max 24 in. OC to studs and runners. Face layer fastened with 1-5/8 in. long Type S screws spaced max 16 in. OC to studs and runners with screws offset from base layer screws. Face layer joints offset min 16 in. from base layer joints. Base layer joints shall be staggered from base layer joints on the opposite side of the wall.

**NATIONAL GYPSUM CO** — Types FSW-C or FSK-C.

6. **Joints of Cementitious Backer Units** — Covered with glass fiber mesh tape and latex modified Portland cement mortar meeting ANSI A118.4.

7. **Joints of Gypsum Board** — When tapered edge gypsum board is used, face layer joints covered with joint compound and paper tape. As an alternate, gypsum veneer plaster may be applied to the entire surface of Classified veneer baseboard with joints reinforced. When square-edge gypsum board is used, treatment of joints is optional.

\*Bearing the UL Classification Mark

Last Updated on 2009-03-23

---

[Questions?](#)

[Notice of Disclaimer](#)

[Page Top](#)

[Copyright © 2009 Underwriters Laboratories Inc.®](#)

The appearance of a company's name or product in this database does not in itself assure that products so identified have been manufactured under UL's Follow-Up Service. Only those products bearing the UL Mark should be considered to be Listed and covered under UL's Follow-Up Service. Always look for the Mark on the product.

UL permits the reproduction of the material contained in the Online Certification Directory subject to the following conditions: 1. The Guide Information, Designs and/or Listings (files) must be presented in their entirety and in a non-misleading manner, without any manipulation of the data (or drawings). 2. The statement "Reprinted from the Online Certifications Directory with permission from Underwriters Laboratories Inc." must appear adjacent to the extracted material. In addition, the reprinted material must include a copyright notice in the following format: "Copyright © 2009 Underwriters Laboratories Inc.®"

An independent organization working for a safer world with integrity, precision and knowledge.

