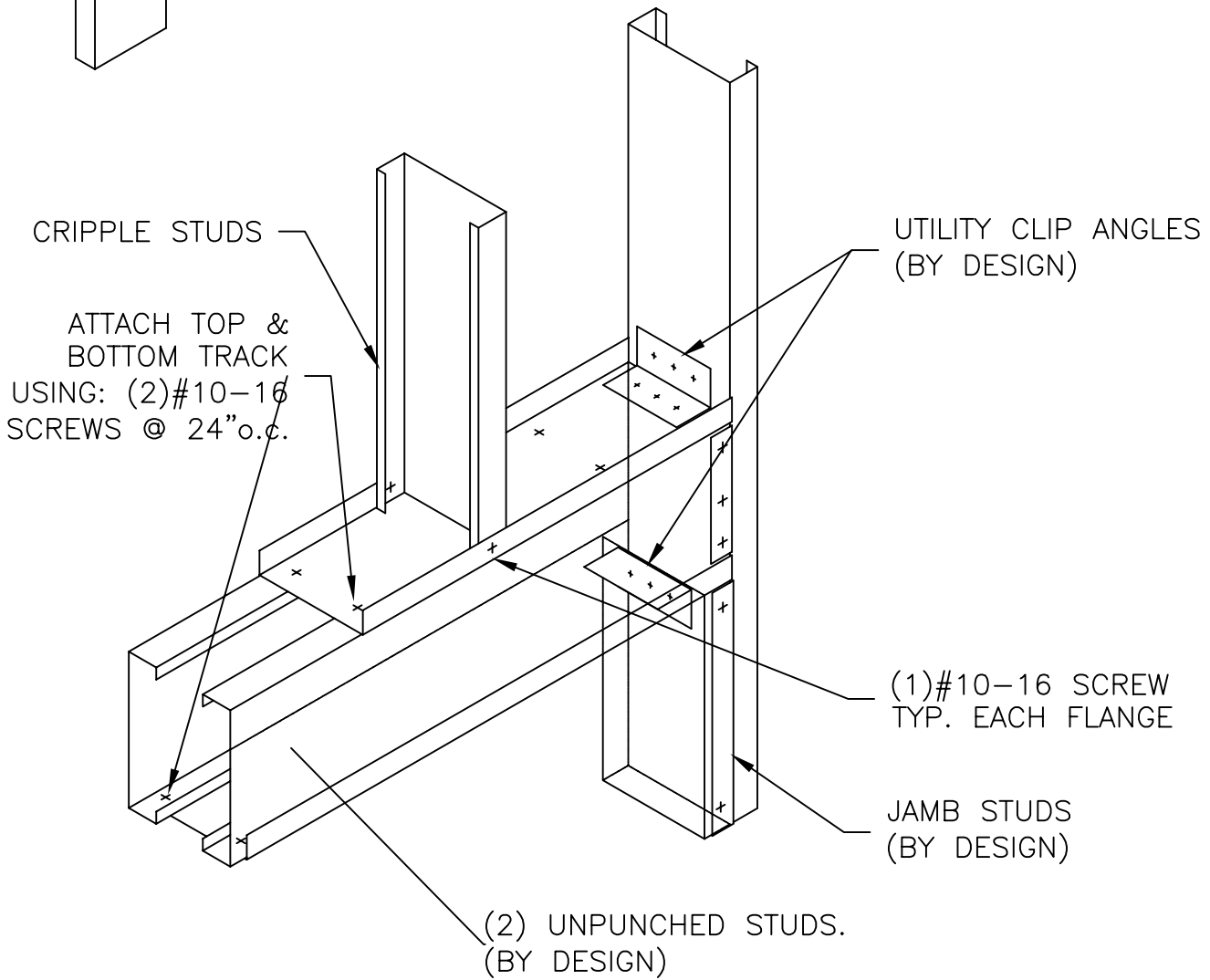


RUNNER TRACK  
(BY DESIGN)

HEADER ATTACHMENT



UTILITY CLIP ANGLES  
(BY DESIGN)

ATTACH TOP &  
BOTTOM TRACK  
USING: (2)#10-16  
SCREWS @ 24"o.c.

(1)#10-16 SCREW  
TYP. EACH FLANGE

JAMB STUDS  
(BY DESIGN)

(2) UNPUNCHED STUDS.  
(BY DESIGN)

8

## BOXED HEADER CONNECTION

LOAD OVER OPENING - TWO MEMBER BOXED