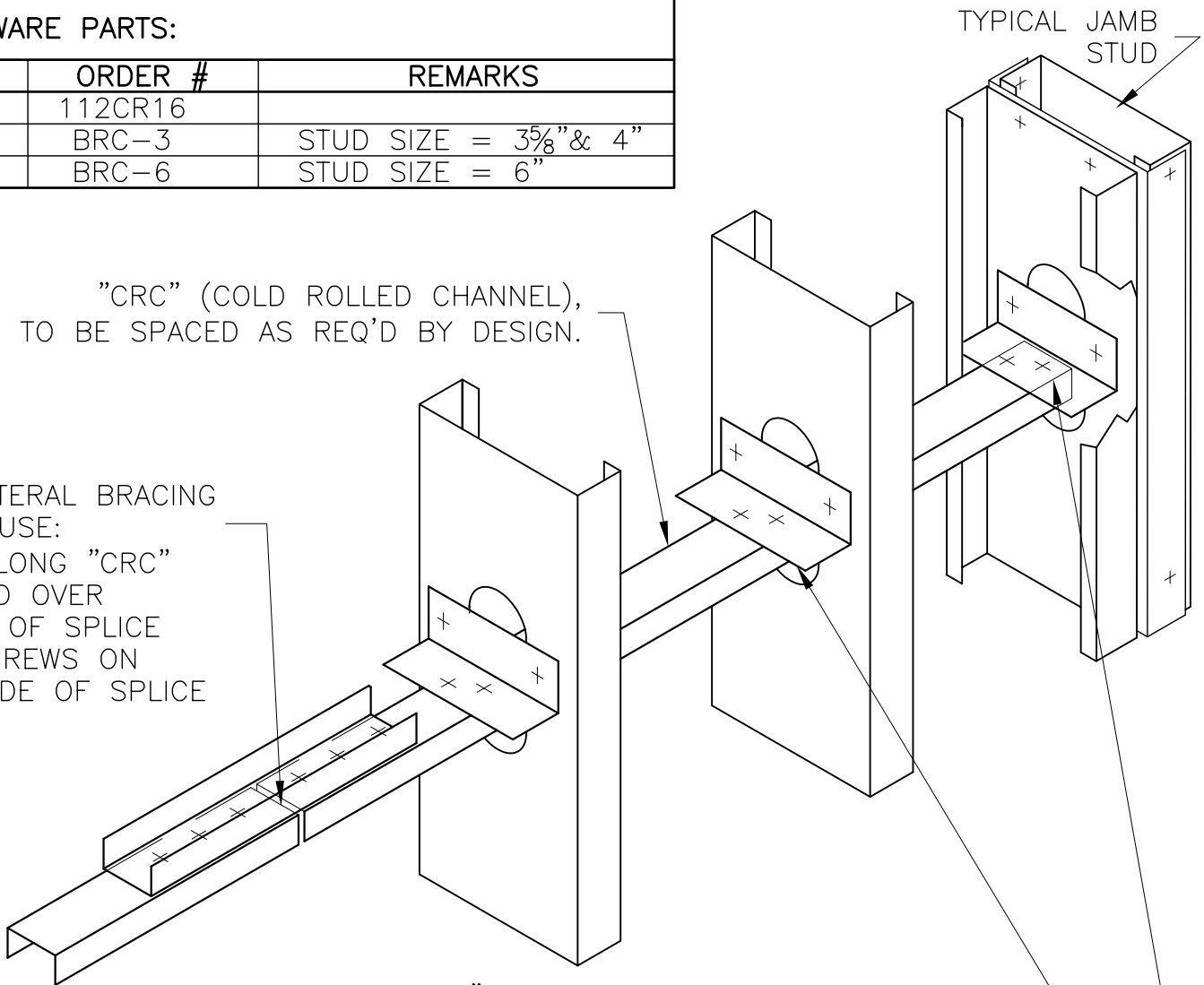


MARINO\WARE PARTS:

ITEM	ORDER #	REMARKS
"CRC"	112CR16	
"BRC"	BRC-3	STUD SIZE = 3 ⁵ / ₈ " & 4"
	BRC-6	STUD SIZE = 6"

"CRC" (COLD ROLLED CHANNEL),
TO BE SPACED AS REQ'D BY DESIGN.

TYP. LATERAL BRACING
SPLICE USE:
(1) 12" LONG "CRC"
INVERTED OVER
CENTER OF SPLICE
WITH SCREWS ON
EACH SIDE OF SPLICE



"BRC TO BE ATTACHED WITH SCREWS
TO "CRC" AND TO THE STUD

WHERE BRACING TERMINATES AT BUILT-UP
JAMB OR POST, EXTEND "CRC"
INTO PUNCH-OUT. ATTACH "CRC"
TO JAMB OR POST WITH "BRC" WITH
SCREWS @ PRE-DRILLED HOLES

NOTE:

CRC BRACING FOR 3⁵/₈" TO 8"
STUDS ONLY!!

CRC LATERAL BRACING

Marino\WARE

4. CURTAINWALL DETAIL