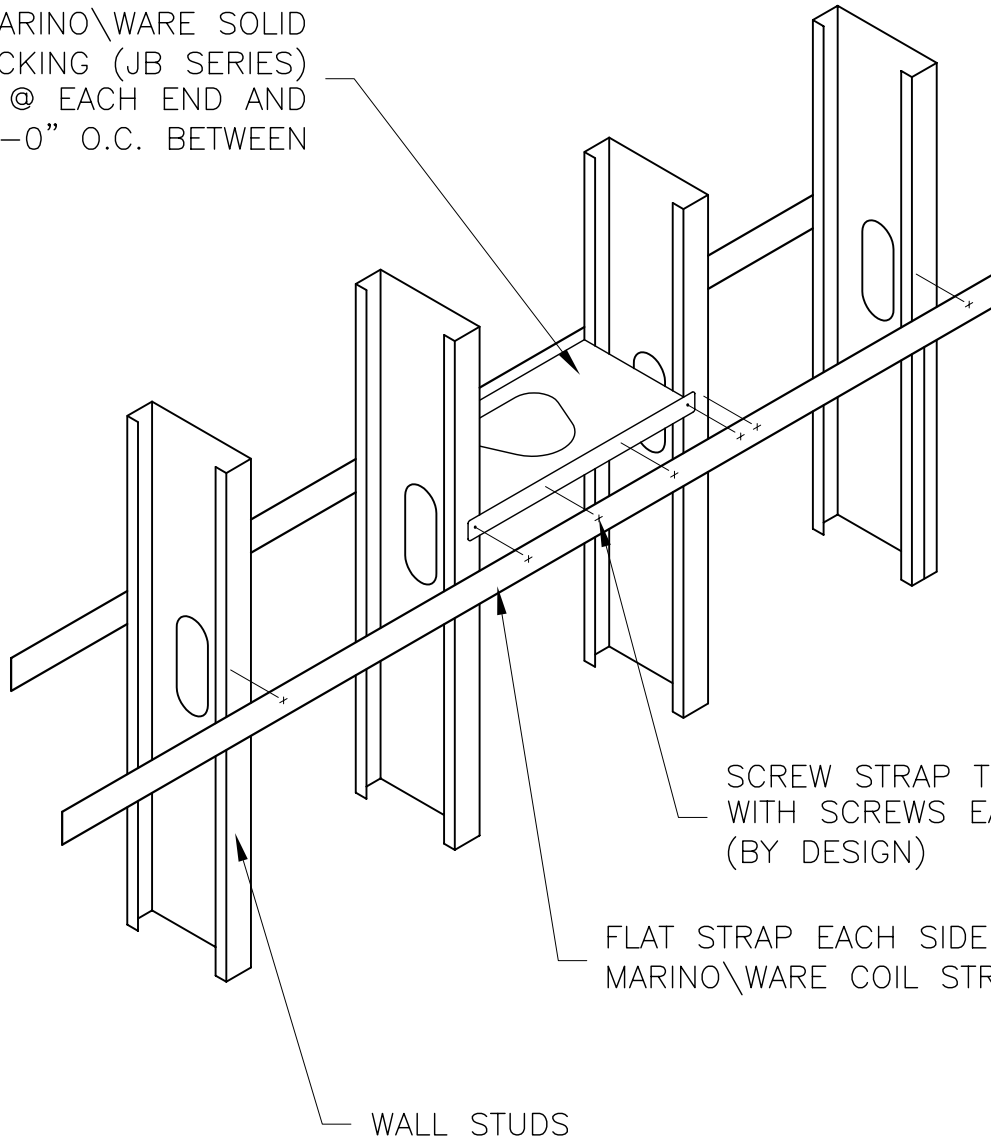


MARINO\WARE SOLID  
BLOCKING (JB SERIES)  
LOCATE @ EACH END AND  
10'-0" O.C. BETWEEN



SCREW STRAP TO BLOCKING  
WITH SCREWS EACH SIDE  
(BY DESIGN)

FLAT STRAP EACH SIDE.  
MARINO\WARE COIL STRAP (CS SERIES)

WALL STUDS

**NOTE:**  
SOLID BLOCKING FOR STUDS  
GREATER TAN 8".

STRAPPING LATERAL BRACING

**Marino\WARE**

**5. CURTAINWALL DETAIL**