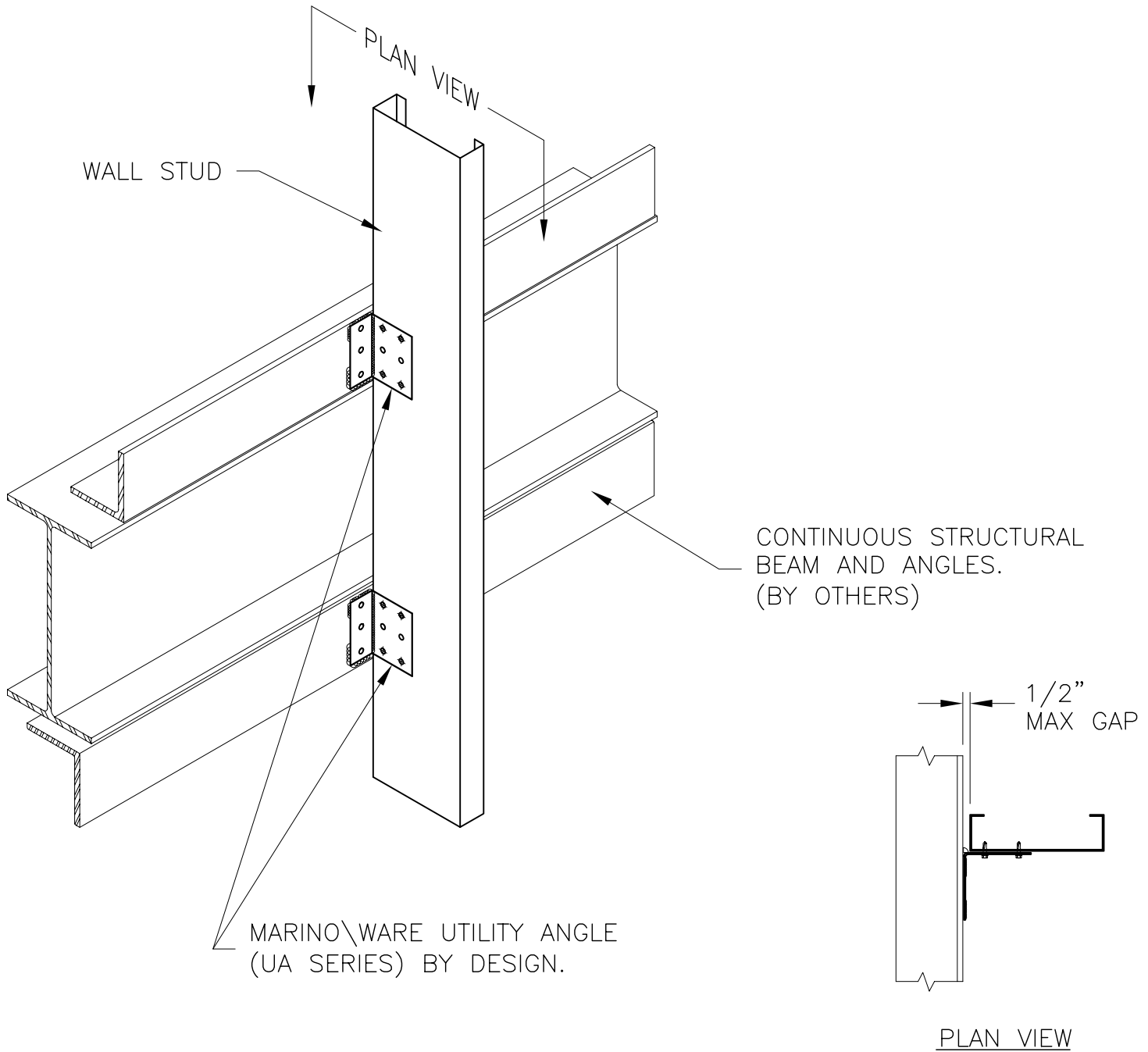


ENGINEER OF RECORD:  
PLEASE VERIFY TORSIONAL  
STABILITY OF BEAM.



SPANDREL STUD ATTACHMENT

**Marino\WARE**

**18. CURTAINWALL DETAIL**