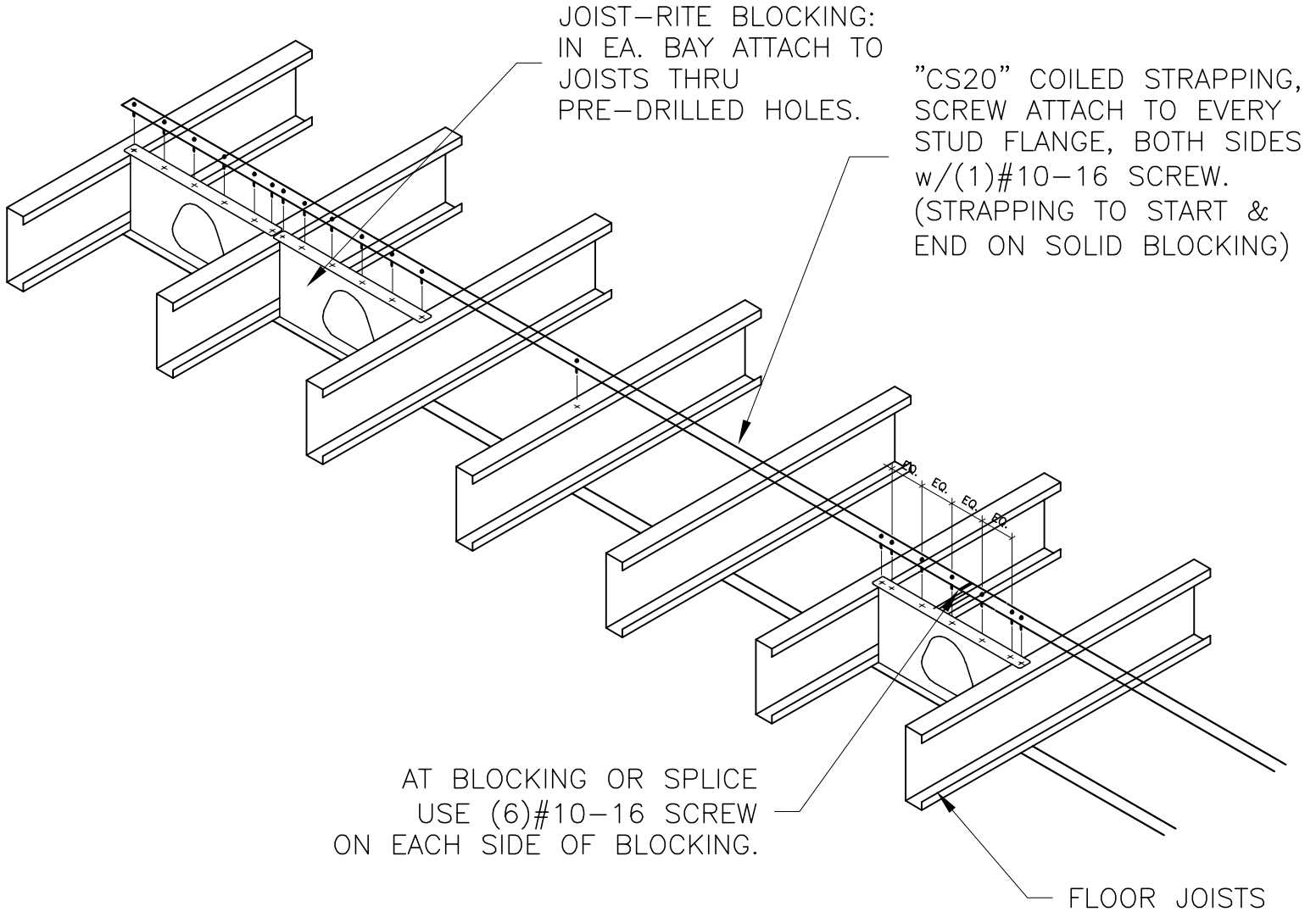


BLOCKING NOTE:

PLACE SOLID BLOCKING ADJACENT TO ALL OPENINGS AND AT 10'-0" o.c. MAX. AND (2) BAYS AT ENDS OF JOIST SYSTEM.

STRAP NOTE:

TOP STRAP NOT REQ'D. IF CONTINUOUSLY ATTACHED RIGID SHEATHING IS USED. TEMPORARY BRACING OF TOP FLANGE DURING CONSTRUCTION MAY BE REQ'D.



BRIDGING RECOMMENDATIONS	
SPANS	ROWS REQUIRED
UP TO 14'	ONE ROW @ MID-SPAN
14' TO 20'	TWO ROWS @ THIRD POINTS
20' TO 26'	THREE ROWS @ QUARTER POINTS

JOIST BRIDGING WITH JB BLOCKING

Marino\WARE

J01 - JOIST CONNECTION