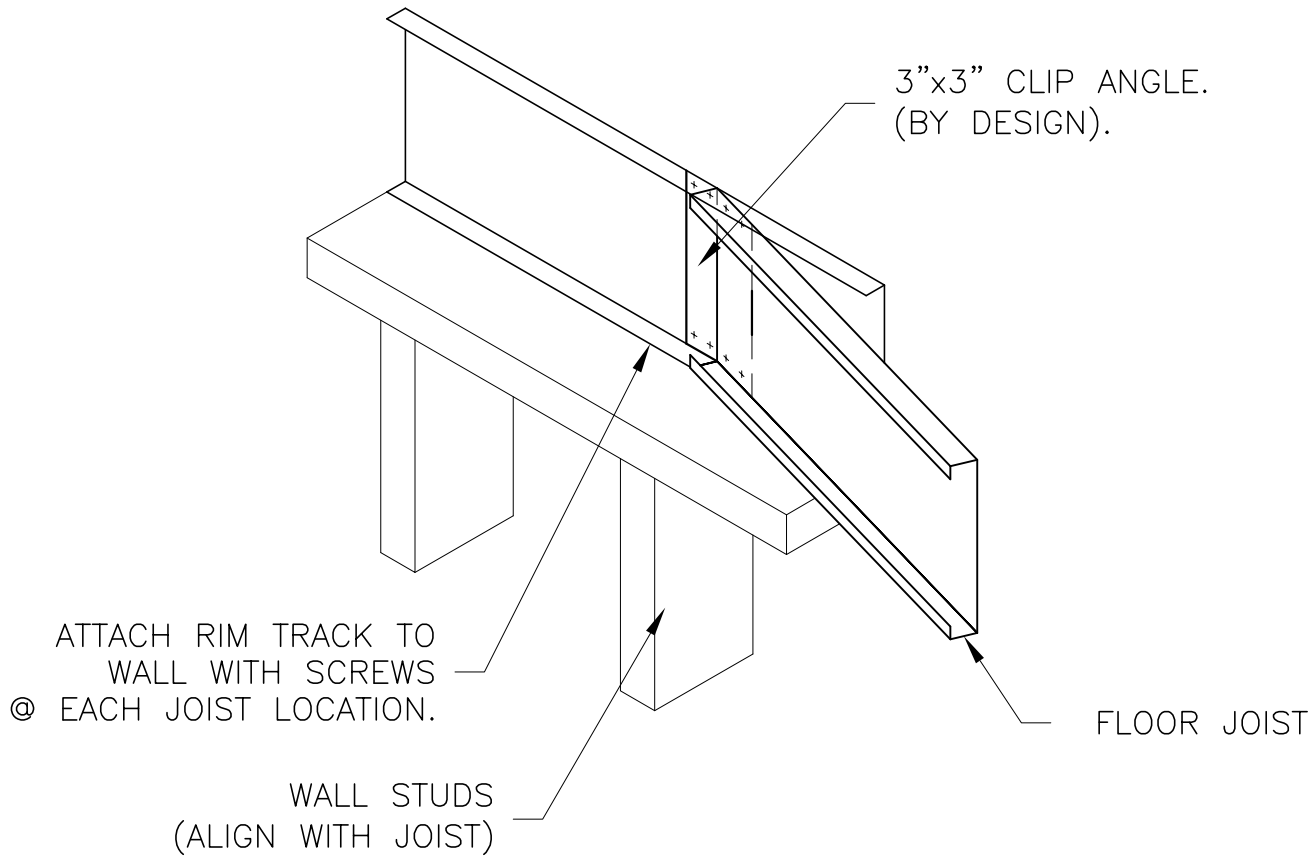
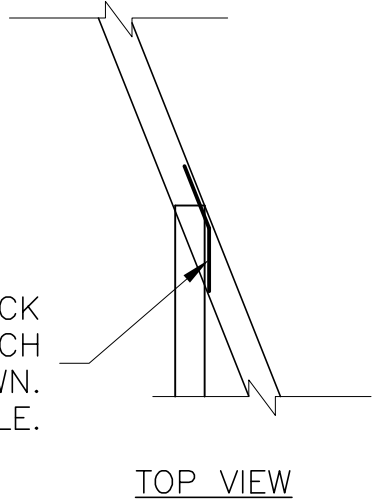


SKEW ANGLES TO X° AS REQUIRED IN FIELD.

ATTACH CLIP TO BACK SIDE OF JOIST AND ATTACH TO TRACK AS SHOWN. SKEW CLIP TO CORRECT ANGLE.



ATTACHMENT OF JOIST TO SKEWED RIM TRACK

**Marino\WARE**

**J07 - JOIST CONNECTION**