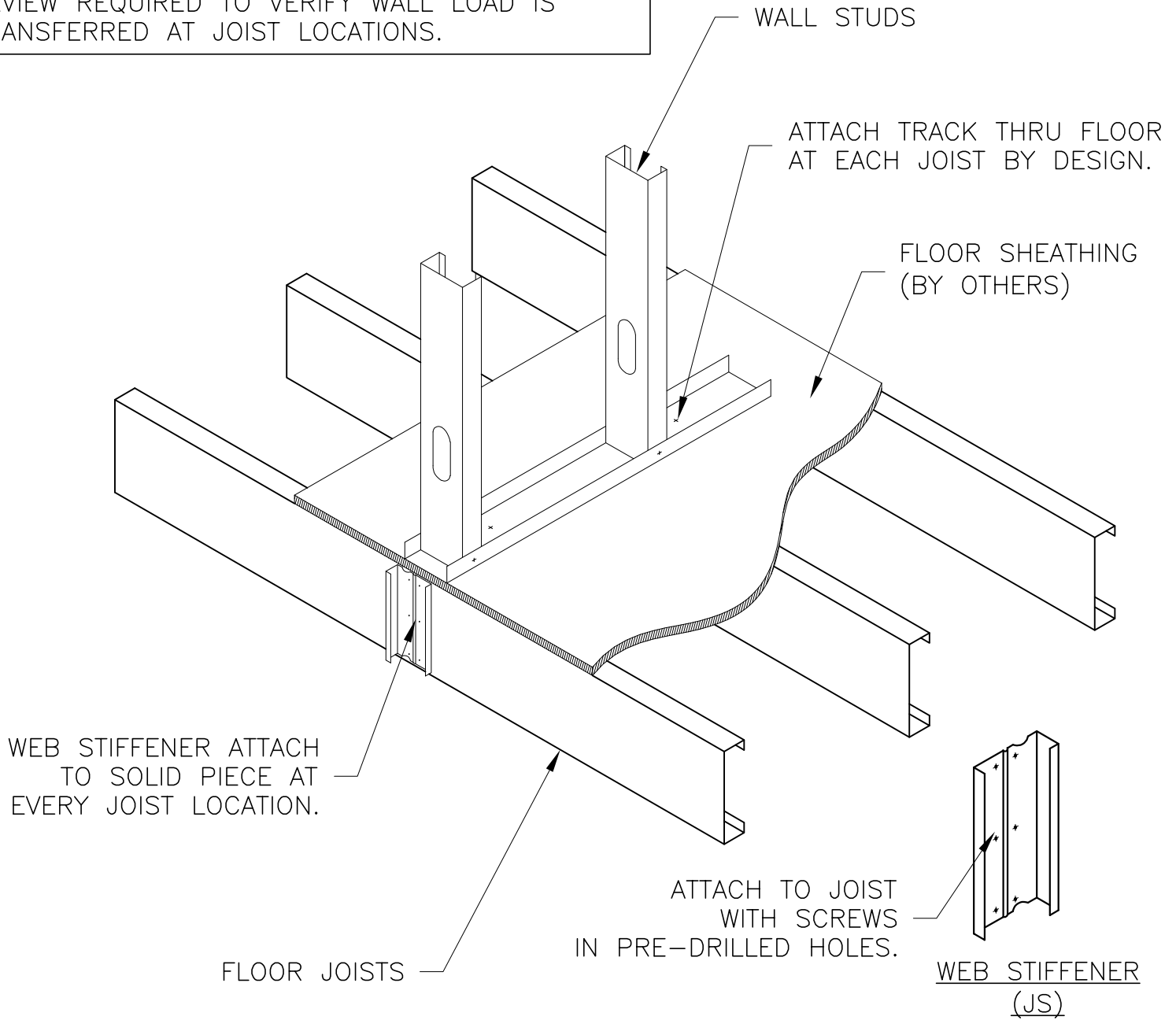


NOTE:

LOAD BEARING WALL FRAMING ABOVE AND BELOW MUST ALIGN WITH JOISTS, OTHERWISE E.O.R. REVIEW REQUIRED TO VERIFY WALL LOAD IS TRANSFERRED AT JOIST LOCATIONS.



BEARING WALL ON JOIST FLOOR

**Marino\WARE**

**J15 - JOIST CONNECTION**