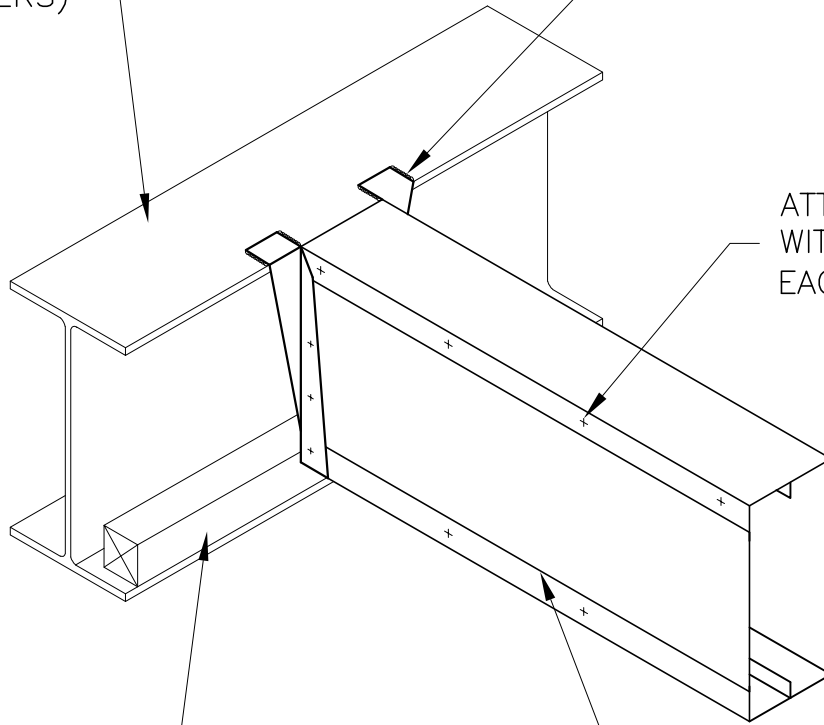


STRUCTURAL BEAM.
(BY OTHERS)

SIMPSON S/LBV HANGER
WELDED TO BEAM FLANGE
(BY DESIGN)

ATTACH TRACKS
WITH SCREW IN
EACH FLANGE @ 12"o.c.



STEEL OR WOOD BLOCKING
SECURED TO I-BEAM.
(BY OTHERS)

GIRDERS

GIRDER CONNECTION TO I-BEAM USING
SIMPSON S/LBV HANGER

Marino\WARE

J25 - JOIST CONNECTION