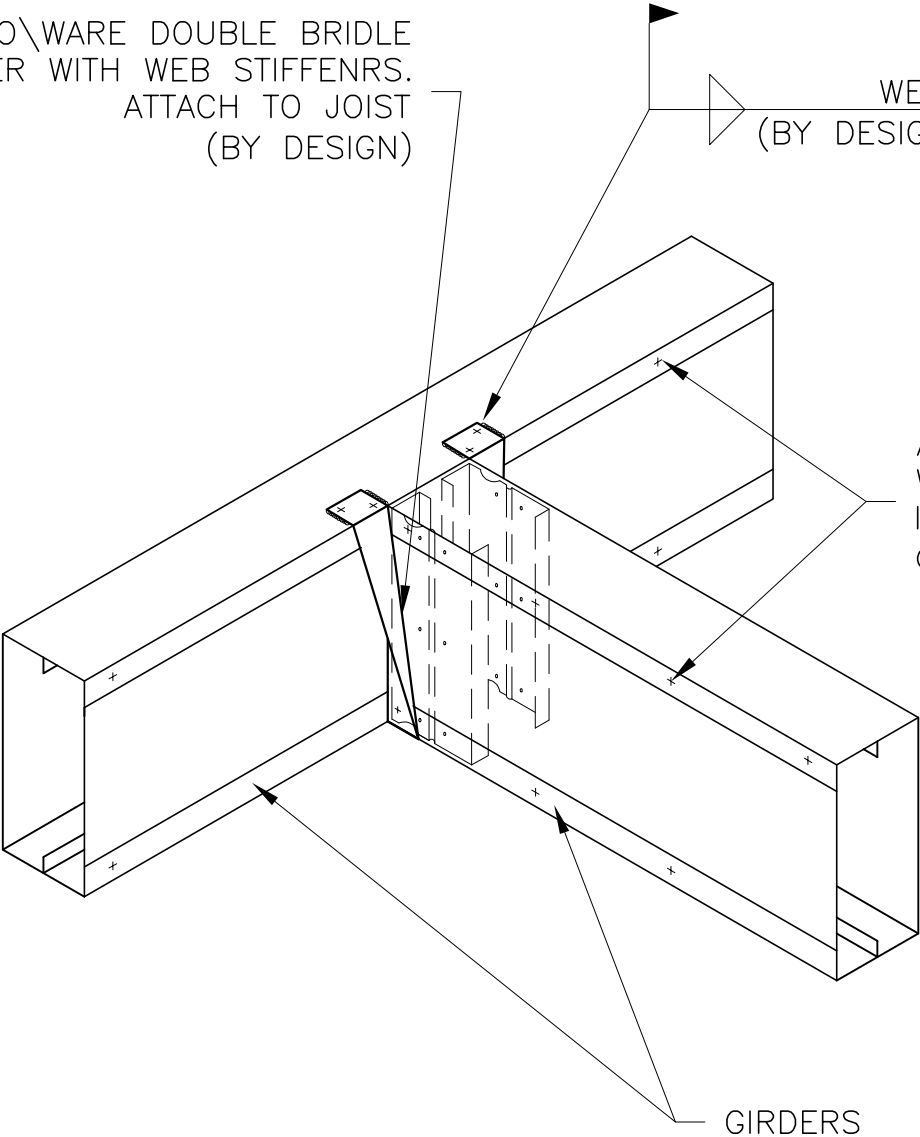


MARINO\WARE DOUBLE BRIDLE  
HANGER WITH WEB STIFFENRS.  
ATTACH TO JOIST  
(BY DESIGN)

WELD  
(BY DESIGN)

ATTACH TRACKS  
WITH SCREW  
IN EACH FLANGE  
@ 12"o.c.



GIRDER TO GIRDER CONNECTION USING  
MARINO\WARE DOUBLE BRIDLE HANGER

**Marino\WARE**

**J28 - JOIST CONNECTION**