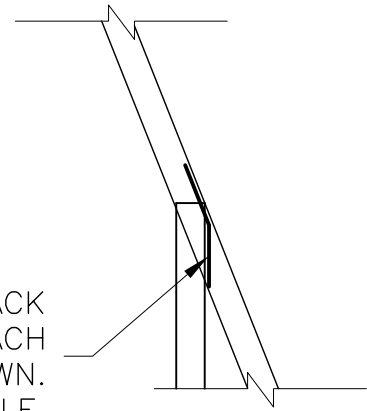
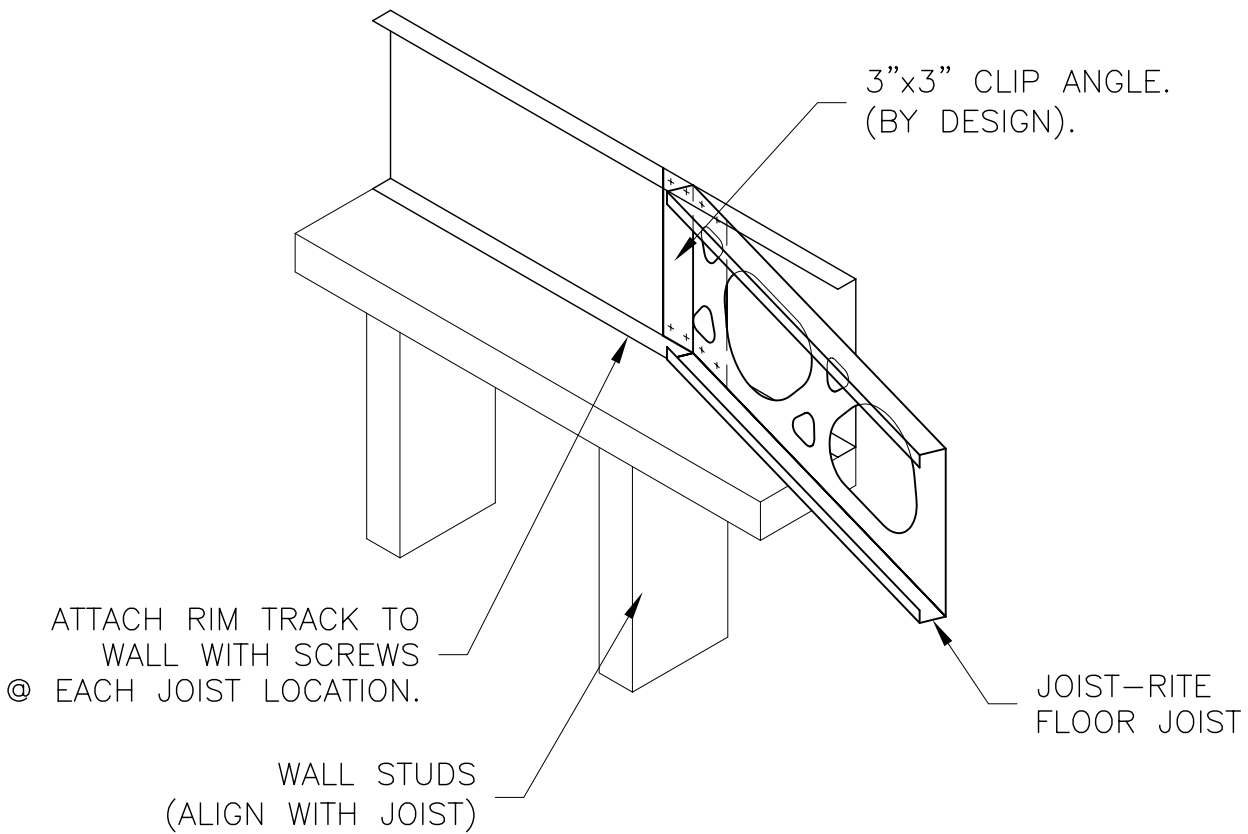


SKEW ANGLES TO X°
AS REQUIRED IN FIELD.

ATTACH CLIP TO BACK
SIDE OF JOIST AND ATTACH
TO TRACK AS SHOWN.
SKEW CLIP TO CORRECT ANGLE.



TOP VIEW



ATTACHMENT OF JOIST TO SKEWED RIM TRACK

Marino\WARE

7. JOISTRITE CONNECTION