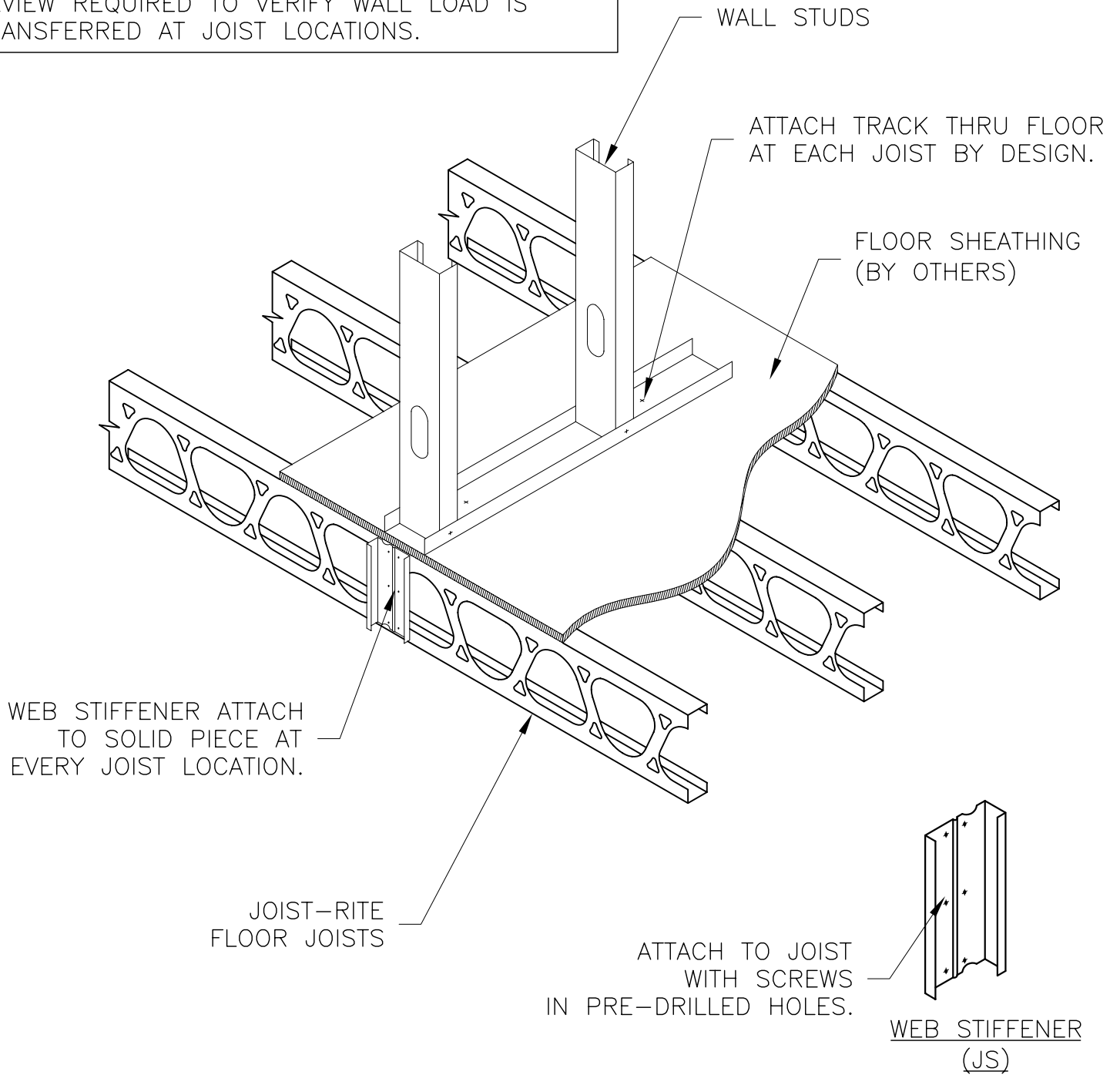


NOTE:

LOAD BEARING WALL FRAMING ABOVE AND BELOW MUST ALIGN WITH JOISTS, OTHERWISE E.O.R. REVIEW REQUIRED TO VERIFY WALL LOAD IS TRANSFERRED AT JOIST LOCATIONS.



BEARING WALL ON JOIST FLOOR

Marino\WARE

15. JOISTRITE CONNECTION