

ATTACH TRACKS
WITH SCREWS
AT 24"o.c.

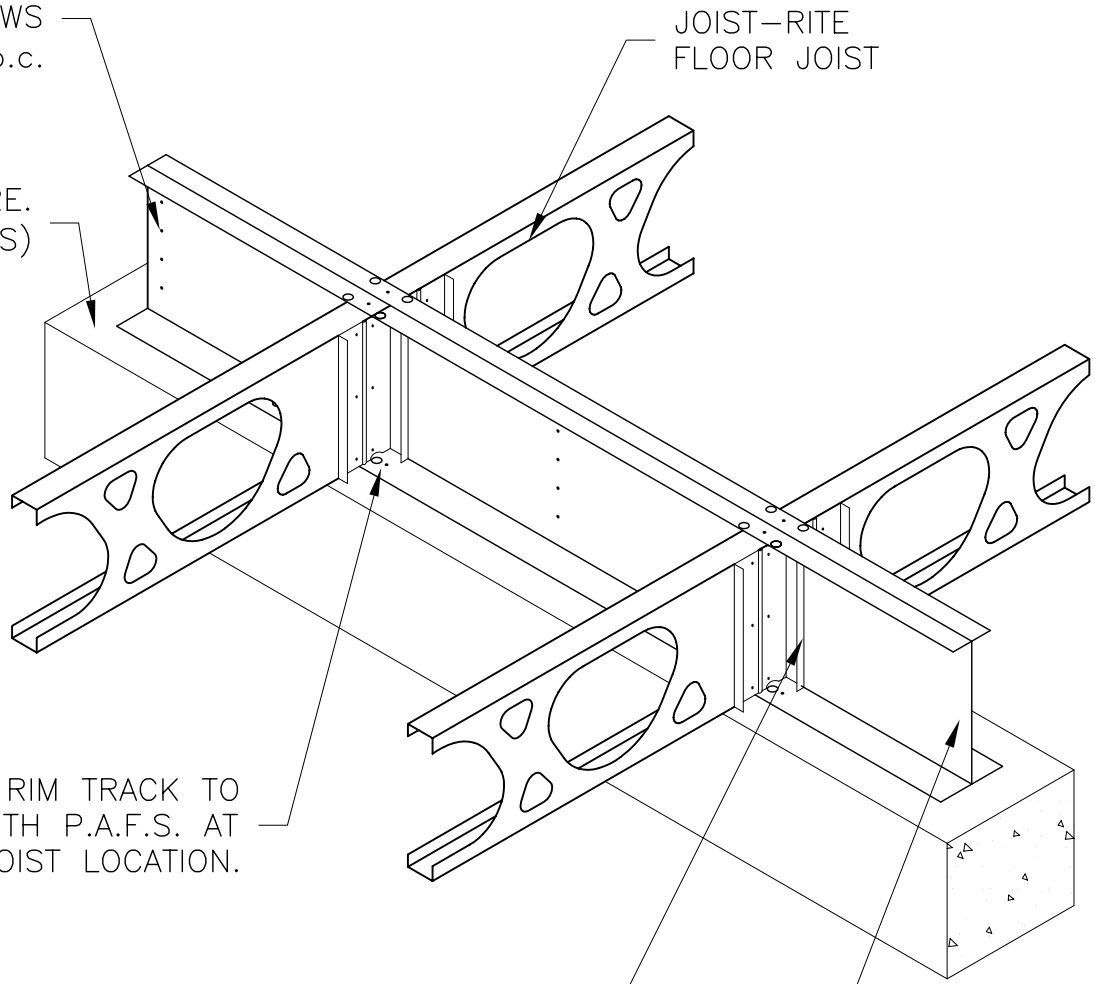
JOIST-RITE
FLOOR JOIST

CONCRETE STRUCTURE.
(BY OTHERS)

ATTACH RIM TRACK TO
WALL WITH P.A.F.S. AT
EACH JOIST LOCATION.

ATTACH WEB STIFFENER
TO RIM TRACK AND JOIST

BACK-TO-BACK
RIM TRACK



TWO JOIST BEARING ON CONCRETE WALL

Marino\WARE 17. JOISTRITE CONNECTION