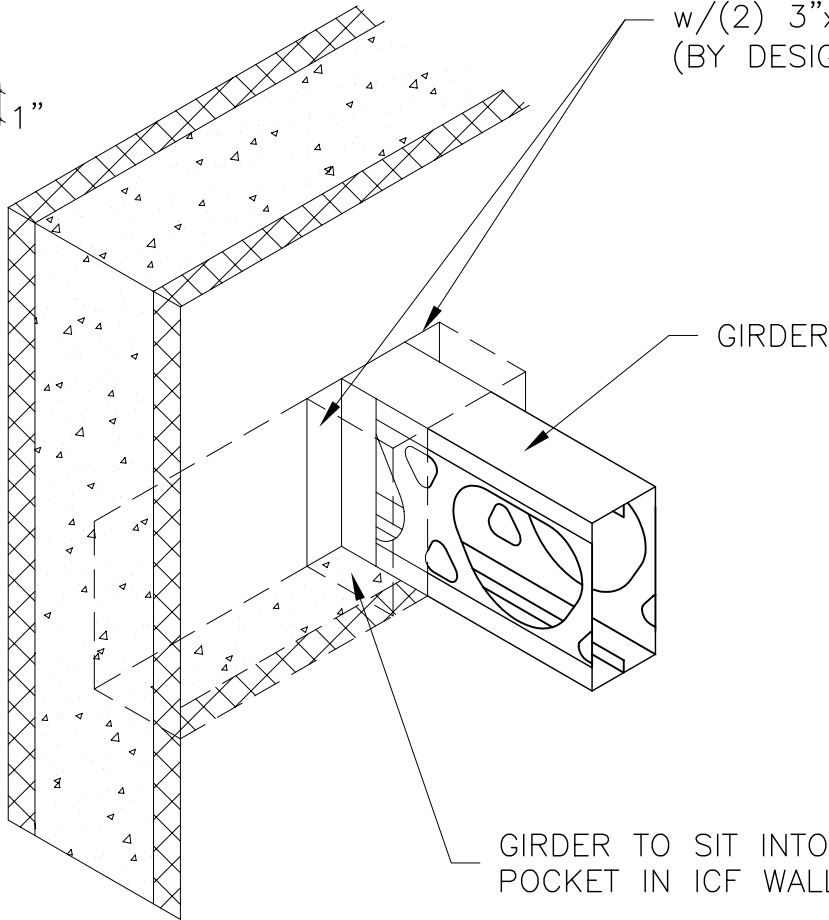


ATTACH GIRDER TO CONCRETE  
w/(2) 3"x3" CLIP ANGLE  
(BY DESIGN)



GIRDER

GIRDER TO SIT INTO  
POCKET IN ICF WALL.

GIRDER POCKETED IN ICF WALL

**Marino\WARE**

**20. JOISTRITE CONNECTION**