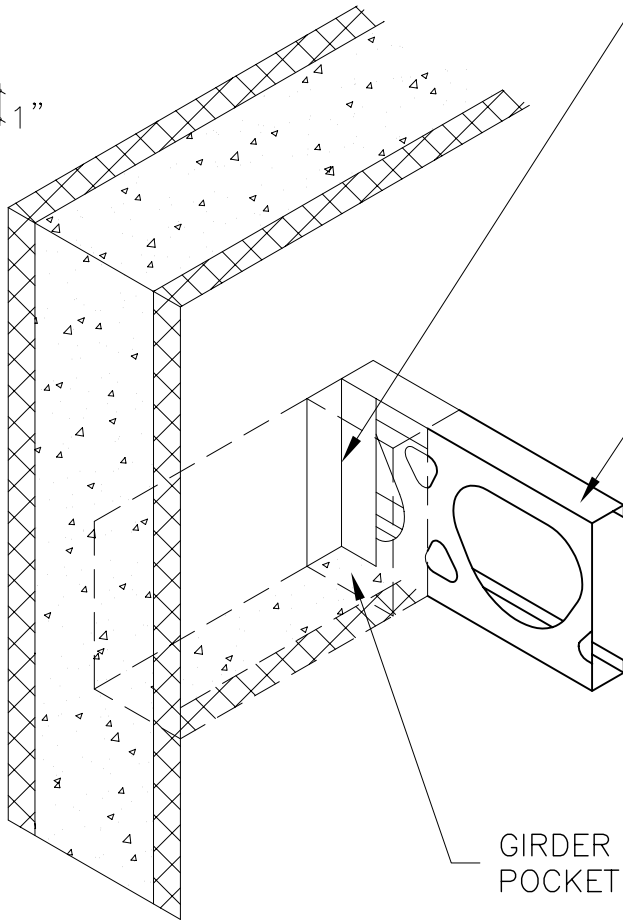


ATTACH JOIST TO CONCRETE
WITH 3"x3" CLIP ANGLE
(BY DESIGN)

JOIST-RITE
FLOOR JOISTS

GIRDER TO SIT INTO
POCKET IN ICF WALL.



JOIST POCKETED IN ICF WALL

Marino\WARE

21. JOISTRITE CONNECTION