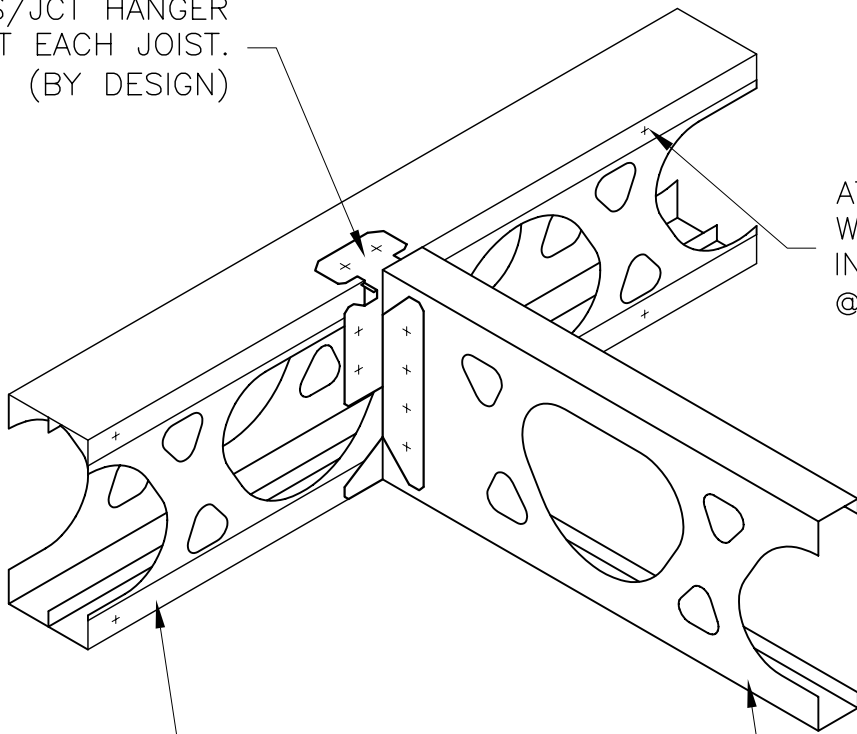


SIMPSON S/JCT HANGER
AT EACH JOIST.
(BY DESIGN)



ATTACH TRACKS
WITH SCREW
IN EACH FLANGE
@ 12"o.c.

GIRDER

JOIST-RITE
FLOOR JOISTS

SINGLE JOIST TO GIRDER CONNECTION
USING SIMPSON S/JCT HANGER

Marino\WARE

29. JOISTRITE CONNECTION