

**JOISTRITE**  
Product Catalog

 **JoistRite**<sup>®</sup>

**MARINO**  **WARE**<sup>®</sup>

## INCREASE EFFICIENCY AND PERFORMANCE

JoistRite® open web joists are specially designed cold-formed steel joist sections that have a high strength-to-mass ratio.

JoistRite® is lighter and easier to handle than traditional steel joists, providing increased productivity and safety on the jobsite. The large triangular knockouts allow for easy installation of wiring, conduits, plumbing, and heating ducts without the need for cutting or drilling holes. JoistRite® has excellent acoustic ratings and fire-rated performance.

- Less weight
- Easy to handle, increasing safety
- Manufactured to length
- Increases efficiency for MEP trades
- Contributes to fewer callbacks
- Fire-rated
- Sound-tested



### TECHNICAL SERVICES + SUPPORT | *DesignGroup*

Our commitment to quality products extends to best-in-class design support. The MarinoWARE® DesignGroup™ offers a full range of technical support and engineering services, including professionally engineered stamped shop drawings, design and installation assistance on all MarinoWARE manufactured products, and expert advice on structural, nonstructural, fire and acoustic assemblies.

If you have questions or need more information on any of the products listed in this catalog, contact our Technical Services department at [technicalservices@marinoware.com](mailto:technicalservices@marinoware.com), or at 866.545.1545. In most cases Technical Services representatives can provide an immediate response.

#### Warranty & Limitations

All products presented herein are warranted to the buyer to be free from defects in material and workmanship. The foregoing warranty is non-assignable and in lieu of and excludes all other warranties not expressly set forth herein, whether express or implied by operation of law or otherwise, including but not limited to any implied warranties of merchantability or fitness for a particular purpose. All details and specifications presented herein are intended as a general guide for the use of MarinoWARE® framing systems. These products should not be used without evaluation by a qualified engineer or architect to determine their suitability for a specific use.

MarinoWARE assumes no responsibility for failure resulting from use of its details or specifications, or for failure resulting from improper application or installation of these products.

#### Governing Law

All issues arising in connection with your order and all transactions associated with it shall be interpreted according to the laws of the State of New Jersey, and all actions or other proceedings arising out of such issues shall be brought only in Superior Court, State of New Jersey, County of Essex, or United States District Court for the District of New Jersey. No action may be brought more than one year after accrual of the cause of action therefore.

General Information ..... 4

Physical and Structural Section Properties ..... 6

Maximum Floor Joist Spans (ft-in.) ..... 7

Single Span Maximum Floor Joist Loads (PSF) | 800 ..... 9

Single Span Maximum Floor Joist Loads (PSF) | 1000 ..... 11

Single Span Maximum Floor Joist Loads (PSF) | 1200 ..... 14

Single Span Maximum Floor Joist Loads (PSF) | 1400 ..... 16

Single Span Maximum Floor Joist Loads (PSF) | 1600 ..... 18

Connection Details ..... 20

JoistRite® Components ..... 21

Specialty Products ..... 22

**U.S. Patent No: US 7,765,771**

*JoistRite Identification System*

**1000-JR-200-54**

- Member Depth 10"=1000 1/100 in
- Style: JR=JoistRite
- Flange Width: 2"=2.00"=100x1/100 in
- Material Thickness: Minimum Base Metal Thickness: 054 in = 54 mils (1 mil = 1/100 in)

**Test Data**

- UL G560, G563, G564, G577, G588, G594, G597, H503, L567, L580, P546
- H503 | STC= 52 & 59 IIC=45, 68 & 74
- MEA= 139-04-M
- ICC ES ESR-1741 (8"-14", 3" flange max)

*\*For UL Designs, minimum of 9-1/4", 16ga joist required.*

*\*Always check the specified UL Design assembly for specific requirements*

Meets:

- IBC 2024, 2021, 2018, 2015
- 2022 NYC Building Code
- 2023 Florida Building Code



## FEATURES

### A PRECISION PRODUCT

JoistRite is supplied as a precision product. Sections are manufactured to length in the plant, minimizing the need for on-site cutting. Another labor-saving feature.

### SPEEDS UP CONSTRUCTION AND REDUCES LABOR COSTS

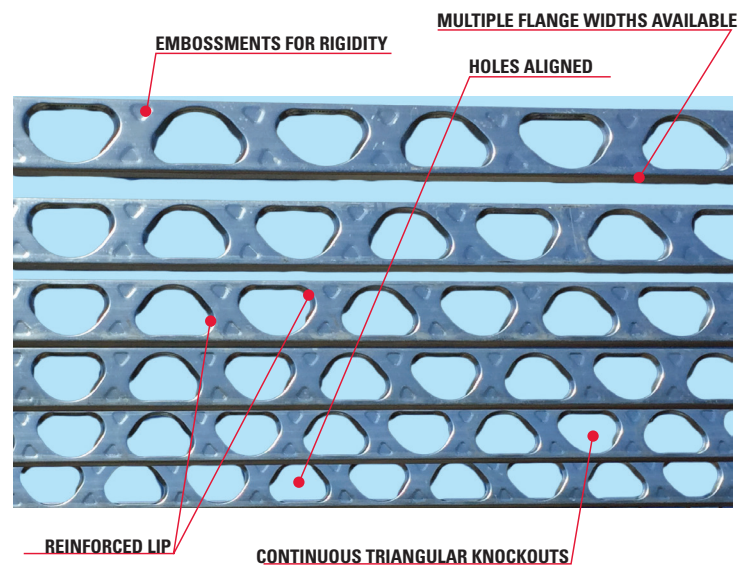
The "open web" design created by the triangular shaped knockouts substantially reduces the weight of JoistRite, making handling much easier and safer. The holes also speed up the installation of electrical, plumbing, and heating services by virtually eliminating the need to cut or drill holes, resulting in reduced labor costs.

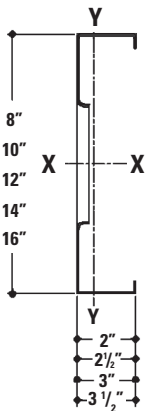
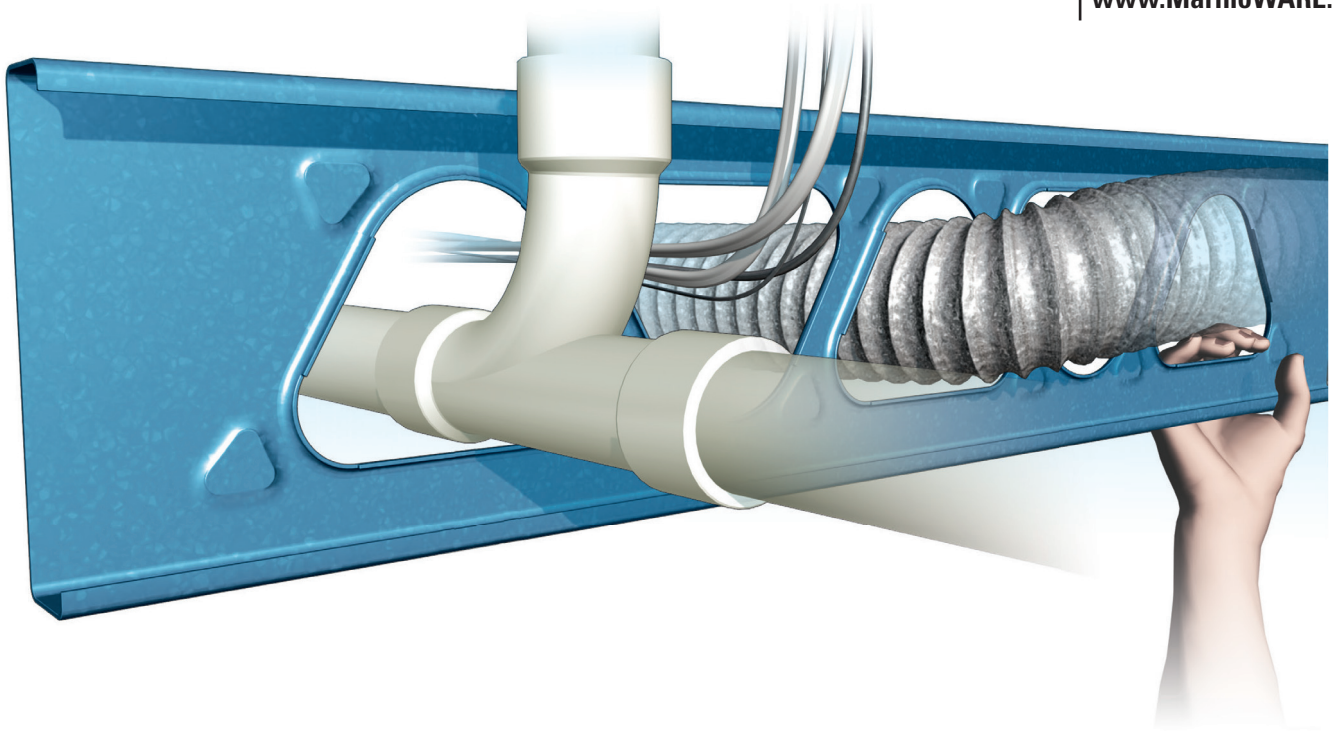
### A DURABLE BUILDING PRODUCT

JoistRite will not swell, warp, burn, rot, or attract or support insect (termite) infestations. The high-quality zinc coating (G-60) helps to protect JoistRite from time-dependent deterioration mechanisms involving moisture.

### DESIGN FLEXIBILITY

Architects, Engineers, and Builders have the option to use stick or frame construction, or a combination of both. With JoistRite, almost any structural design is possible. JoistRite is supplied in a complete range of sizes to meet engineering specifications for wind-bearing and load-bearing walls, floor, ceiling joists, and roof trusses. It is strong enough to support up to seven stories as a self-supporting, load-bearing structure and can be utilized in much higher structures when used as an infill application.





**STEEL THICKNESS:**

Product	Design		Minimum		ASTM C955 Color Code
	Mils	(in.)	(mm)	(in.)	
43	0.0451	1.15	0.0428	1.09	Yellow
54	0.0566	1.44	0.0538	1.37	Green
68	0.0713	1.81	0.0677	1.72	Orange
97	0.1017	2.58	0.0966	2.45	Red

**GRADES OF STEEL:**

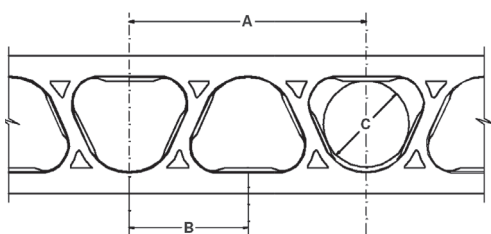
18 gauge joists |  $F_y$  (min) = 33 ksi  
16, 14, and 12 gauge joists |  $F_y$  (min) = 50 ksi  
Manufactured to desired lengths.  
Other web sizes available upon request.

**FINISH:**

Galvanized in accordance with AISI S240. Products will be furnished with a G-60 hot-dipped galvanized coating.

**HOLE SIZES:**

Section Depth in.	A Pitch in.	B 1/2 Pitch in.	C Max. Diameter in.
8	14.0	7.00	5.2
10	28.0	14.00	7.2
12	35.0	17.50	9.2
14	35.0	17.50	9.2
16	35.0	17.50	9.2



**SYMBOLS & DEFINITIONS**

- $F_y$  Yield stress of steel used for design.
- $I_x$  Moment of inertia of net section about x-axis.
- $S_x$  Section modulus of net section about x-axis.
- $r_x$  Radius of gyration of net section about x-axis.
- $I_y$  Moment of inertia of net section about y-axis.
- $r_y$  Radius of gyration of net section about y-axis.
- $I_{xed}$  Effective moment of inertia of net section about x-axis based on a stress of 0.6  $F_y$  (deflection determination).
- $S_{xe}$  Effective section modulus of net section about x-axis based on a stress of  $F_y$  (strength determination).
- $M_a$  Allowable bending moment.
- $V_a$  Allowable shear force.
- $J$  Saint-Venant torsion constant of net section.
- $C_w$  Torsional warping constant of net section.
- $r_o$  Polar radius of gyration of net section about shear center.

**NOTES:**

\* Net effective properties were established based on Section A1.2(b) of AISI S100-16.

1. Net section properties are based on the gross section elements excluding the hole.

2. Net effective section properties are based on the effective section elements excluding the hole.

Physical Properties							Net Properties					Net Effective Properties*				Torsional Properties				
Members	Hole size (in.)	Web (in.)	Flange (in.)	Lip (in.)	Design Thickness (in.)	Weight (plf)	Area (in <sup>2</sup> )	I <sub>x</sub> (in <sup>4</sup> )	S <sub>x</sub> (in <sup>3</sup> )	r <sub>x</sub> (in.)	I <sub>y</sub> (in <sup>4</sup> )	r <sub>y</sub> (in.)	I <sub>xxe</sub> (in <sup>4</sup> )	S <sub>xxe</sub> (in <sup>3</sup> )	M <sub>a</sub> (k-in.)	V <sub>a</sub> (kip)	J x10 <sup>3</sup> (in <sup>4</sup> )	C <sub>w</sub> (in <sup>6</sup> )	r <sub>o</sub> (in.)	
<b>8" MEMBERS [33 and 43 mils Fy = 33 ksi; 54, 68 and 97 mils Fy = 50 ksi]</b>																				
800JR200-43	5.25	8.00	2.00	0.75	0.0451	1.58	0.386	5.11	1.28	3.64	0.223	0.760	5.11	1.23	22.9	0.620	0.261	3.81	4.11	
800JR200-54	5.25	8.00	2.00	0.75	0.0566	1.97	0.478	6.32	1.58	3.64	0.272	0.754	6.32	1.53	43.1	0.960	0.510	4.67	4.10	
800JR200-68	5.25	8.00	2.00	0.75	0.0713	2.45	0.592	7.81	1.95	3.63	0.330	0.746	7.81	1.95	55.0	1.48	1.00	5.72	4.09	
800JR200-97	5.25	8.00	2.00	0.75	0.1017	3.42	0.814	10.7	2.67	3.62	0.433	0.729	10.7	2.67	75.2	2.47	2.81	7.70	4.06	
800JR250-43	5.25	8.00	2.50	0.75	0.0451	1.73	0.431	5.82	1.46	3.68	0.379	0.938	5.76	1.32	24.5	0.620	0.292	6.36	4.39	
800JR250-54	5.25	8.00	2.50	0.75	0.0566	2.16	0.535	7.22	1.80	3.67	0.465	0.932	7.16	1.57	44.2	0.960	0.571	7.83	4.38	
800JR250-68	5.25	8.00	2.50	0.75	0.0713	2.69	0.663	8.93	2.23	3.67	0.566	0.924	8.93	1.99	56.2	1.48	1.12	9.63	4.37	
800JR250-97	5.25	8.00	2.50	0.75	0.1017	3.76	0.916	12.3	3.07	3.66	0.751	0.906	12.3	3.03	85.4	2.47	3.16	13.1	4.34	
800JR300-43	5.25	8.00	3.00	0.75	0.0451	1.89	0.476	6.54	1.63	3.71	0.589	1.11	6.28	1.38	25.7	0.620	0.323	9.74	4.71	
800JR300-54	5.25	8.00	3.00	0.75	0.0566	2.35	0.591	8.11	2.03	3.70	0.723	1.11	7.66	1.61	45.2	0.960	0.631	12.0	4.70	
800JR300-68	5.25	8.00	3.00	0.75	0.0713	2.94	0.734	10.1	2.51	3.70	0.884	1.10	9.74	2.06	58.0	1.48	1.25	14.8	4.69	
800JR300-97	5.25	8.00	3.00	0.75	0.1017	4.11	1.02	13.9	3.46	3.69	1.18	1.08	13.9	3.22	90.6	2.47	3.51	20.2	4.66	
800JR350-43	5.25	8.00	3.50	1.00	0.0451	2.12	0.544	7.47	1.87	3.71	0.943	1.32	6.87	1.43	26.5	0.620	0.369	16.9	5.17	
800JR350-54	5.25	8.00	3.50	1.00	0.0566	2.64	0.677	9.28	2.32	3.70	1.16	1.31	8.61	1.81	50.9	0.960	0.631	20.9	5.16	
800JR350-68	5.25	8.00	3.50	1.00	0.0713	3.30	0.842	11.5	2.88	3.70	1.43	1.30	11.2	2.41	67.9	1.48	1.43	25.8	5.14	
800JR350-97	5.25	8.00	3.50	1.00	0.1017	4.63	1.17	15.9	3.99	3.69	1.93	1.28	15.9	3.53	99.4	2.47	4.04	35.3	5.11	
<b>10" MEMBERS [43 mils Fy = 33 ksi; 54, 68 and 97 mils Fy = 50 ksi]</b>																				
1000JR200-43	7.0	10.0	2.00	0.75	0.0451	1.84	0.404	8.51	1.70	4.59	0.226	0.749	8.51	1.64	30.5	0.724	0.274	6.00	4.95	
1000JR200-54	7.0	10.0	2.00	0.75	0.0566	2.30	0.501	10.5	2.11	4.59	0.276	0.743	10.5	2.04	57.5	1.12	0.535	7.37	4.94	
1000JR200-68	7.0	10.0	2.00	0.75	0.0713	2.86	0.621	13.0	2.61	4.58	0.335	0.735	13.0	2.61	73.4	1.73	1.05	9.03	4.93	
1000JR200-97	7.0	10.0	2.00	0.75	0.1017	4.01	0.856	17.9	3.58	4.57	0.441	0.718	17.9	3.58	101	3.31	2.95	12.2	4.91	
1000JR250-43	7.0	10.0	2.50	0.75	0.0451	1.99	0.449	9.62	1.93	4.63	0.386	0.927	9.53	1.75	32.5	0.724	0.304	10.0	5.19	
1000JR250-54	7.0	10.0	2.50	0.75	0.0566	2.49	0.558	11.9	2.39	4.63	0.473	0.921	11.8	2.09	58.8	1.12	0.595	12.4	5.18	
1000JR250-68	7.0	10.0	2.50	0.75	0.0713	3.11	0.692	14.8	2.96	4.62	0.577	0.913	14.8	2.65	74.6	1.73	1.17	15.2	5.17	
1000JR250-97	7.0	10.0	2.50	0.75	0.1017	4.35	0.958	20.4	4.07	4.61	0.767	0.895	20.4	4.03	114	3.31	3.30	20.7	5.14	
1000JR300-43	7.0	10.0	3.00	0.75	0.0451	2.15	0.494	10.7	2.15	4.66	0.601	1.10	10.3	1.83	34.0	0.724	0.335	15.3	5.46	
1000JR300-54	7.0	10.0	3.00	0.75	0.0566	2.68	0.614	13.3	2.67	4.66	0.739	1.10	12.6	2.13	60.0	1.12	0.656	19.0	5.45	
1000JR300-68	7.0	10.0	3.00	0.75	0.0713	3.35	0.764	16.6	3.31	4.65	0.904	1.09	16.0	2.73	76.8	1.73	1.29	23.4	5.43	
1000JR300-97	7.0	10.0	3.00	0.75	0.1017	4.70	1.06	22.9	4.57	4.65	1.21	1.07	22.9	4.25	120	3.31	3.65	31.9	5.41	
1000JR350-43	7.0	10.0	3.50	1.00	0.0451	2.38	0.562	12.2	2.45	4.67	0.965	1.31	11.3	1.89	35.1	0.724	0.381	26.0	5.84	
1000JR350-54	7.0	10.0	3.50	1.00	0.0566	2.97	0.699	15.2	3.04	4.66	1.19	1.30	14.2	2.39	67.3	1.12	0.747	32.2	5.83	
1000JR350-68	7.0	10.0	3.50	1.00	0.0713	3.71	0.871	18.9	3.78	4.66	1.46	1.30	18.5	3.18	89.5	1.73	1.48	39.8	5.82	
1000JR350-97	7.0	10.0	3.50	1.00	0.1017	5.22	1.21	26.2	5.24	4.65	1.98	1.28	26.2	4.64	131	3.31	4.18	54.6	5.79	
<b>12" MEMBERS [Fy = 50 ksi]</b>																				
1200JR200-54	9.0	12.0	2.00	0.75	0.0566	2.50	0.510	15.8	2.64	5.57	0.270	0.728	15.8	2.56	72.2	1.08	0.544	10.6	5.87	
1200JR200-68	9.0	12.0	2.00	0.75	0.0713	3.12	0.632	19.6	3.27	5.57	0.328	0.721	19.6	3.27	92.2	1.66	1.07	13.0	5.86	
1200JR200-97	9.0	12.0	2.00	0.75	0.1017	4.38	0.871	26.9	4.49	5.56	0.432	0.704	26.9	4.49	127	3.15	3.00	17.5	5.84	
1200JR250-54	9.0	12.0	2.50	0.75	0.0566	2.69	0.566	17.9	2.98	5.61	0.465	0.906	17.7	2.61	73.6	1.08	0.605	17.7	6.07	
1200JR250-68	9.0	12.0	2.50	0.75	0.0713	3.37	0.703	22.1	3.69	5.61	0.567	0.898	22.1	3.31	93.4	1.66	1.19	21.8	6.06	
1200JR250-97	9.0	12.0	2.50	0.75	0.1017	4.72	0.973	30.5	5.09	5.60	0.754	0.880	30.5	5.03	142	3.15	3.35	29.7	6.04	
1200JR300-54	9.0	12.0	3.00	0.75	0.0566	2.89	0.623	19.9	3.31	5.65	0.729	1.08	18.8	2.66	75.0	1.08	0.665	27.2	6.30	
1200JR300-68	9.0	12.0	3.00	0.75	0.0713	3.61	0.774	24.7	4.11	5.64	0.892	1.07	23.9	3.40	95.9	1.66	1.31	33.6	6.29	
1200JR300-97	9.0	12.0	3.00	0.75	0.1017	5.07	1.08	34.1	5.69	5.63	1.20	1.06	34.1	5.28	149	3.15	3.71	45.9	6.27	
1200JR350-54	9.0	12.0	3.50	1.00	0.0566	3.17	0.708	22.6	3.77	5.65	1.18	1.29	21.1	2.97	83.9	1.08	0.756	45.6	6.64	
1200JR350-68	9.0	12.0	3.50	1.00	0.0713	3.97	0.881	28.1	4.69	5.65	1.45	1.28	27.5	3.95	111	1.66	1.49	56.4	6.63	
1200JR350-97	9.0	12.0	3.50	1.00	0.1017	5.59	1.23	39.1	6.51	5.64	1.96	1.26	39.1	5.76	163	3.15	4.23	77.6	6.60	
<b>14" MEMBERS [Fy = 50 ksi]</b>																				
1400JR200-54	9.0	14.0	2.00	0.75	0.0566	2.89	0.623	24.3	3.47	6.24	0.329	0.726	24.3	3.35	94.2	1.33	0.665	16.2	6.44	
1400JR200-68	9.0	14.0	2.00	0.75	0.0713	3.61	0.774	30.1	4.31	6.24	0.400	0.719	30.1	4.31	121	2.08	1.31	19.9	6.43	
1400JR200-97	9.0	14.0	2.00	0.75	0.1017	5.07	1.08	41.7	5.95	6.23	0.531	0.703	41.7	5.95	168	4.11	3.71	27.0	6.41	
1400JR250-54	9.0	14.0	2.50	0.75	0.0566	3.08	0.679	27.0	3.86	6.31	0.559	0.907	26.8	3.41	96.1	1.33	0.725	27.2	6.63	
1400JR250-68	9.0	14.0	2.50	0.75	0.0713	3.85	0.846	33.6	4.80	6.30	0.684	0.899	33.6	4.36	123	2.08	1.43	33.5	6.62	
1400JR250-97	9.0	14.0	2.50	0.75	0.1017	5.41	1.18	46.6	6.65	6.29	0.916	0.883	46.6	6.59	186	4.11	4.06	45.7	6.60	
1400JR300-54	9.0	14.0	3.00	0.75	0.0566	3.27	0.736	29.8	4.26	6.36	0.870	1.09	28.4	3.48	97.9	1.33	0.786	41.6	6.83	
1400JR300-68	9.0	14.0	3.00	0.75	0.0713	4.09	0.917	37.1	5.29	6.36	1.07	1.08	36.0	4.48	126	2.08	1.55	51.5	6.82	
1400JR300-97	9.0	14.0	3.00	0.75	0.1017	5.76	1.28	51.5	7.35	6.35	1.44	1.06	51.5	6.89	194	4.11	4.41	70.6	6.80	
1400JR350-54	9.0	14.0	3.50	1.00	0.0566	3.56	0.821	33.6	4.80	6.40	1.40	1.31	31.5	3.85	109	1.33	0.877	68.8	7.13	
1400JR350-68	9.0	14.0	3.50	1.00	0.0713	4.46	1.02	41.9	5.98	6.39	1.73	1.30	40.9	5.13	144	2.08	1.74	85.3	7.11	
1400JR350-97	9.0	14.0	3.50	1.00	0.1017	6.28	1.43	58.3	8.33	6.38	2.35	1.28	58.3	7.47	210	4.11	4.93	118	7.09	
<b>16" MEMBERS [Fy = 50 ksi]</b>																				
1600JR200-68	9.0	16.0	2.00	0.75	0.0713	4.09	0.917	43.4	5.42	6.88	0.450	0.700	43.4	5.17	146	2.56	1.55	28.0	7.02	
1600JR200-97	9.0	16.0	2.00	0.75	0.1017	5.76	1.28	60.2	7.52	6.86	0.598	0.684	60.2	7.52						

# Single Span Maximum Floor Joist Spans (ft.-in.)

**NOTES:**

- Values shown in table are the least of strength and deflection limits without regard to the composite contribution of facing materials.
- Web stiffeners are required at all support and concentrated load locations and the minimum end bearing shall be 1 1/2".
- Joists shall be restrained against rotation at each end and shall be attached to track components or restrained by the installation of lateral bracing.
- Applications involving multiple spans, cantilevers, concentrated loads, impact loading, etc.,

shall be investigated separately.

- Compression flange shall be braced by the attachment of continuous diaphragm-rated sheathing or decking. Additionally, mechanical bridging shall be completed before loading the floor/roof system.
- Verify fire ratings for any load reductions.
- Maintain 10" solid ends per ICC-ES report.

Section Identification	15 psf Dead Load plus 40 psf Live Load						40 psf Dead Load plus 40 psf Live Load						15 psf Dead Load plus 60 psf Live Load					
	L/360			L/480			L/360			L/480			L/360			L/480		
	Joist Spacing (in.) o.c.			Joist Spacing (in.) o.c.			Joist Spacing (in.) o.c.			Joist Spacing (in.) o.c.			Joist Spacing (in.) o.c.			Joist Spacing (in.) o.c.		
	12	16	24	12	16	24	12	16	24	12	16	24	12	16	24	12	16	24
800JR200-43	16' 7"	14' 4"	11' 3"	16' 1"	14' 4"	11' 3"	13' 9"	11' 7"	7' 9"	13' 9"	11' 7"	7' 9"	14' 3"	12' 3"	8' 3"	14' 1"	12' 3"	8' 3"
800JR200-54	19' 0"	17' 3"	15' 1"	17' 3"	15' 8"	13' 8"	17' 3"	15' 8"	12' 0"	17' 3"	15' 8"	12' 0"	16' 7"	15' 1"	12' 9"	15' 1"	13' 8"	12' 0"
800JR200-68	20' 4"	18' 7"	16' 2"	18' 7"	16' 10"	14' 8"	18' 7"	16' 10"	14' 8"	18' 7"	16' 10"	14' 8"	17' 10"	16' 2"	14' 2"	16' 2"	14' 8"	12' 10"
800JR200-97	22' 8"	20' 7"	18' 0"	20' 7"	18' 8"	16' 4"	20' 7"	18' 8"	16' 4"	20' 7"	18' 8"	16' 4"	19' 9"	18' 0"	15' 8"	18' 0"	16' 4"	14' 3"
800JR250-43	17' 2"	14' 10"	11' 3"	16' 9"	14' 10"	11' 3"	14' 3"	11' 7"	7' 9"	14' 3"	11' 7"	7' 9"	14' 9"	12' 4"	8' 3"	14' 8"	12' 4"	8' 3"
800JR250-54	19' 9"	18' 0"	15' 9"	18' 0"	16' 4"	14' 3"	18' 0"	16' 4"	12' 0"	18' 0"	16' 4"	12' 0"	17' 3"	15' 9"	12' 9"	15' 9"	14' 3"	12' 6"
800JR250-68	21' 4"	19' 4"	17' 0"	19' 4"	17' 7"	15' 4"	19' 4"	17' 7"	15' 3"	19' 4"	17' 7"	15' 3"	18' 8"	17' 0"	14' 9"	17' 0"	15' 4"	13' 6"
800JR250-97	23' 9"	21' 7"	18' 10"	21' 7"	19' 7"	17' 1"	21' 7"	19' 7"	17' 1"	21' 7"	19' 7"	17' 1"	20' 9"	18' 10"	16' 6"	18' 10"	17' 1"	15' 0"
800JR300-43	17' 8"	15' 3"	11' 3"	17' 3"	15' 3"	11' 3"	14' 7"	11' 7"	7' 9"	14' 7"	11' 7"	7' 9"	15' 1"	12' 4"	8' 3"	15' 1"	12' 4"	8' 3"
800JR300-54	20' 3"	18' 4"	16' 1"	18' 4"	16' 9"	14' 7"	18' 4"	16' 9"	12' 0"	18' 4"	16' 9"	12' 0"	17' 8"	16' 1"	12' 9"	16' 1"	14' 7"	12' 9"
800JR300-68	22' 0"	20' 0"	17' 6"	20' 0"	18' 2"	15' 10"	20' 0"	18' 2"	15' 6"	20' 0"	18' 2"	15' 6"	19' 2"	17' 6"	15' 3"	17' 6"	15' 10"	13' 10"
800JR300-97	24' 8"	22' 6"	19' 7"	22' 6"	20' 4"	17' 9"	22' 6"	20' 4"	17' 9"	22' 6"	20' 4"	17' 9"	21' 7"	19' 7"	17' 2"	19' 7"	17' 9"	15' 7"
800JR350-43	17' 10"	15' 6"	11' 3"	17' 9"	15' 6"	11' 3"	14' 10"	11' 7"	7' 9"	14' 10"	11' 7"	7' 9"	15' 4"	12' 4"	8' 3"	15' 4"	12' 4"	8' 3"
800JR350-54	21' 1"	19' 2"	16' 9"	19' 2"	17' 4"	15' 2"	19' 2"	17' 4"	12' 0"	19' 2"	17' 4"	12' 0"	18' 4"	16' 9"	12' 9"	16' 9"	15' 2"	12' 9"
800JR350-68	23' 1"	21' 0"	18' 3"	21' 0"	19' 0"	16' 7"	21' 0"	19' 0"	16' 7"	21' 0"	19' 0"	16' 7"	20' 1"	18' 3"	16' 0"	18' 3"	16' 7"	14' 6"
800JR350-97	25' 10"	23' 7"	20' 7"	23' 7"	21' 4"	18' 8"	23' 7"	21' 4"	18' 8"	23' 7"	21' 4"	18' 8"	22' 7"	20' 7"	18' 0"	20' 7"	18' 8"	16' 3"
1000JR200-43	19' 2"	16' 7"	13' 2"	19' 1"	16' 7"	13' 2"	15' 10"	13' 7"	9' 1"	15' 10"	13' 7"	9' 1"	16' 6"	14' 3"	9' 8"	16' 6"	14' 3"	9' 8"
1000JR200-54	22' 7"	20' 6"	17' 10"	20' 6"	18' 7"	16' 3"	20' 6"	18' 7"	14' 0"	20' 6"	18' 7"	14' 0"	19' 8"	17' 10"	14' 10"	17' 10"	16' 3"	14' 2"
1000JR200-68	24' 2"	22' 0"	19' 2"	22' 0"	20' 0"	17' 6"	22' 0"	20' 0"	17' 6"	22' 0"	20' 0"	17' 6"	21' 2"	19' 2"	16' 9"	19' 2"	17' 6"	15' 3"
1000JR200-97	26' 10"	24' 6"	21' 4"	24' 6"	22' 2"	19' 4"	24' 6"	22' 2"	19' 4"	24' 6"	22' 2"	19' 4"	23' 6"	21' 4"	18' 8"	21' 4"	19' 4"	17' 0"
1000JR250-43	19' 10"	17' 2"	13' 2"	19' 9"	17' 2"	13' 2"	16' 6"	13' 7"	9' 1"	16' 6"	13' 7"	9' 1"	17' 0"	14' 6"	9' 8"	17' 0"	14' 6"	9' 8"
1000JR250-54	23' 6"	21' 3"	18' 7"	21' 3"	19' 4"	16' 10"	21' 3"	19' 2"	14' 0"	21' 3"	19' 2"	14' 0"	20' 6"	18' 7"	14' 10"	18' 7"	16' 10"	14' 9"
1000JR250-68	25' 3"	23' 0"	20' 1"	23' 0"	20' 10"	18' 2"	23' 0"	20' 10"	17' 7"	23' 0"	20' 10"	17' 7"	22' 1"	20' 1"	17' 6"	17' 7"	20' 10"	15' 10"
1000JR250-97	28' 1"	25' 7"	22' 3"	25' 7"	23' 2"	20' 3"	25' 7"	23' 2"	20' 3"	25' 7"	23' 2"	20' 3"	24' 7"	22' 3"	19' 6"	22' 3"	20' 3"	17' 8"
1000JR300-43	20' 3"	17' 7"	13' 2"	20' 3"	17' 7"	13' 2"	16' 9"	13' 7"	9' 1"	16' 9"	13' 7"	9' 1"	17' 4"	14' 6"	9' 8"	17' 4"	14' 6"	9' 8"
1000JR300-54	24' 0"	21' 9"	19' 0"	21' 9"	19' 9"	17' 3"	21' 9"	19' 4"	14' 0"	21' 9"	19' 4"	14' 0"	20' 10"	19' 0"	14' 10"	19' 0"	17' 3"	14' 10"
1000JR300-68	26' 0"	23' 7"	20' 7"	23' 7"	21' 4"	18' 8"	23' 7"	21' 4"	17' 10"	23' 7"	21' 4"	17' 10"	22' 8"	20' 7"	18' 0"	20' 7"	18' 8"	16' 4"
1000JR300-97	29' 2"	26' 7"	23' 2"	26' 7"	24' 1"	21' 1"	26' 7"	24' 1"	21' 1"	26' 7"	24' 1"	21' 1"	25' 6"	23' 2"	20' 3"	23' 2"	21' 1"	18' 4"
1000JR350-43	20' 7"	17' 10"	13' 2"	20' 7"	17' 10"	13' 2"	17' 1"	13' 7"	9' 1"	17' 1"	13' 7"	9' 1"	17' 8"	14' 6"	9' 8"	17' 8"	14' 6"	9' 8"
1000JR350-54	24' 10"	22' 7"	19' 9"	22' 7"	20' 7"	18' 0"	22' 7"	20' 6"	14' 0"	22' 7"	20' 6"	14' 0"	21' 9"	19' 9"	14' 10"	19' 9"	18' 0"	14' 10"
1000JR350-68	27' 2"	24' 8"	21' 7"	24' 8"	22' 6"	19' 7"	24' 8"	22' 6"	19' 3"	24' 8"	22' 6"	19' 3"	23' 9"	21' 7"	18' 10"	21' 7"	19' 7"	17' 1"
1000JR350-97	30' 7"	27' 9"	24' 3"	27' 9"	25' 3"	22' 1"	27' 9"	25' 3"	22' 1"	27' 9"	25' 3"	22' 1"	26' 8"	24' 3"	21' 2"	24' 3"	22' 1"	19' 3"
1200JR200-54	25' 10"	23' 6"	19' 7"	23' 6"	21' 3"	18' 7"	23' 6"	20' 2"	13' 6"	23' 6"	20' 2"	13' 6"	22' 7"	20' 6"	14' 4"	20' 6"	18' 7"	14' 4"
1200JR200-68	27' 9"	25' 2"	22' 0"	25' 2"	22' 10"	20' 0"	25' 2"	22' 10"	19' 7"	25' 2"	22' 10"	19' 7"	24' 3"	22' 0"	19' 3"	22' 0"	20' 0"	17' 6"
1200JR200-97	30' 10"	28' 0"	24' 6"	28' 0"	25' 6"	22' 3"	28' 0"	25' 6"	22' 3"	28' 0"	25' 6"	22' 3"	27' 0"	24' 6"	21' 4"	24' 6"	22' 3"	19' 4"
1200JR250-54	26' 9"	24' 4"	19' 7"	24' 4"	22' 2"	19' 4"	24' 4"	20' 2"	13' 6"	24' 4"	20' 2"	13' 6"	23' 6"	21' 3"	14' 4"	21' 3"	19' 4"	14' 4"
1200JR250-68	28' 10"	26' 3"	23' 0"	26' 3"	23' 10"	20' 10"	26' 3"	23' 10"	19' 8"	26' 3"	23' 10"	19' 8"	25' 3"	23' 0"	20' 0"	23' 0"	20' 10"	18' 2"
1200JR250-97	32' 2"	29' 2"	25' 6"	29' 2"	26' 7"	23' 2"	29' 2"	26' 7"	23' 2"	29' 2"	26' 7"	23' 2"	28' 1"	25' 6"	22' 3"	25' 6"	23' 2"	20' 3"
1200JR300-54	27' 4"	24' 10"	19' 7"	24' 10"	22' 7"	19' 7"	24' 10"	20' 2"	13' 6"	24' 10"	20' 2"	13' 6"	23' 10"	21' 7"	14' 4"	21' 8"	19' 9"	14' 4"
1200JR300-68	29' 8"	27' 0"	23' 6"	27' 0"	24' 6"	21' 4"	27' 0"	24' 6"	20' 0"	27' 0"	24' 6"	20' 0"	25' 10"	23' 6"	20' 7"	23' 6"	21' 4"	18' 8"
1200JR300-97	33' 4"	30' 3"	26' 6"	30' 3"	27' 7"	24' 1"	30' 3"	27' 7"	24' 1"	30' 3"	27' 7"	24' 1"	29' 2"	26' 6"	23' 2"	26' 6"	24' 1"	21' 0"
1200JR350-54	28' 6"	25' 10"	19' 7"	25' 10"	23' 6"	19' 7"	25' 10"	20' 2"	13' 6"	25' 10"	20' 2"	13' 6"	24' 10"	21' 7"	14' 4"	22' 7"	20' 6"	14' 4"
1200JR350-68	31' 1"	28' 2"	24' 8"	28' 2"	25' 8"	22' 4"	28' 2"	25' 8"	20' 8"	28' 2"	25' 8"	20' 8"	27' 1"	24' 8"	21' 6"	24' 8"	22' 4"	19' 7"
1200JR350-97	34' 10"	31' 8"	27' 8"	31' 8"	28' 9"	25' 2"	31' 8"	28' 9"	25' 2"	31' 8"	28' 9"	25' 2"	30' 6"	27' 8"	24' 2"	27' 8"	25' 2"	22' 0"
1400JR200-54	29' 9"	27' 1"	23' 8"	27' 1"	24' 7"	21' 6"	27' 1"	24' 3"	16' 7"	27' 1"	24' 3"	16' 7"	26' 1"	23' 8"	17' 8"	23' 8"	21' 6"	17' 8"
1400JR200-68	32' 1"	29' 1"	25' 4"	29' 1"	26' 6"	23' 1"	29' 1"	26' 6"	22' 6"	29' 1"	26' 6"	22' 6"	28' 0"	25' 4"	22' 2"	25' 4"	23' 1"	20' 2"
1400JR200-97	35' 8"	32' 4"	28' 3"	32' 4"	29' 6"	25' 8"	32' 4"	29' 6"	25' 8"	32' 4"	29' 6"	25' 8"	31' 2"	28' 3"	24' 9"	28' 3"	25' 8"	22' 6"
1400JR250-54	30' 9"	28' 0"	24' 1"	28' 0"	25' 6"	22' 2"	28' 0"	24' 6"	16' 7"	28' 0"	24' 6"	16' 7"	26' 10"	24' 6"	17' 8"	24' 6"	22' 2"	17' 8"
1400JR250-68	33' 2"	30' 2"	26' 4"	30' 2"	27' 4"	24' 0"	30' 2"	27' 4"	22' 7"	30' 2"	27' 4"	22' 7"	29' 0"	26' 4"	23' 0"	26' 4"	24' 0"	20' 10"
1400JR250-97	37' 1"	33' 8"	29' 4"	33' 8"	30' 7"	26' 8"	33' 8"	30' 7"	26' 8"	33' 8"	30' 7"	26' 8"	32' 4"	29' 4"	25' 8"	29' 4"	26' 8"	23' 3"
1400JR300-54	31' 4"	28' 6"	24' 1"	28' 6"	25' 10"	22' 7"	28' 6"	24' 9"	16' 7"	28' 6"	24' 9"	16' 7"	27' 4"	24' 10"	17' 8"	24' 10"	22' 7"	17' 8"
1400JR300-68	34' 0"	30' 10"	27' 0"	30' 10"	28' 1"	24' 6"	30' 10"	28' 1"	22' 10"	30' 10"	28' 1"	22' 10"	29' 8"	27' 0"	23' 7"	27' 0"	24' 6"	21' 4"
1400JR300-97	38' 3"	34' 9"	30' 4"	34' 9"	31' 7"	27' 7"	34' 9"	31' 7"	27' 7"	34' 9"	31' 7"	27' 7"	33' 6"	30' 4"	26' 7"	30' 4"	27' 7"	24' 1"
1400JR350-54	32' 6"	29' 7"	24' 1"	29' 7"	26' 10"	23' 6"	29' 7"	24' 10"	16' 7"	29' 7"	24' 10"	16' 7"	28' 4"	25' 9"	17' 8"	25' 9"	23' 6"	17' 8"
1400JR350-68	35' 6"	32' 3"	28' 2"	32' 3"	29' 3"	25' 7"	32' 3"	29' 3"	24' 6"	32' 3"	29' 3"	24' 6"	31' 0"	28' 2"	24' 7"	28' 2"	25' 7"	22' 4"
1400JR350-97	39' 10"	36' 3"	31' 8"	36' 3"	33' 0"	28' 9"	36' 3"	33' 0"	28' 9"	36' 3"	33' 0"	28' 9"	34' 10"	31' 8"	27' 8"	31' 8"	28' 9"	25' 2"
1600JR200-68	36' 2"	32' 10"	28' 8"	32' 10"	29' 10"	26' 1"	32' 10"	29' 10"	24' 9"	32' 10"	29' 10"	24' 9"						

Section Identification	40 psf Dead Load plus 60 psf Live Load						15 psf Dead Load plus 125 psf Live Load						40 psf Dead Load plus 125 psf Live Load					
	L/360			L/480			L/360			L/480			L/360			L/480		
	Joist Spacing (in.) o.c.			Joist Spacing (in.) o.c.			Joist Spacing (in.) o.c.			Joist Spacing (in.) o.c.			Joist Spacing (in.) o.c.			Joist Spacing (in.) o.c.		
	12	16	24	12	16	24	12	16	24	12	16	24	12	16	24	12	16	24
800JR200-43	12' 3"	9' 3"	6' 2"	12' 3"	9' 3"	6' 2"	8' 10"	6' 7"	4' 4"	8' 10"	6' 7"	4' 4"	7' 6"	5' 7"	3' 9"	7' 6"	5' 7"	3' 9"
800JR200-54	16' 1"	14' 4"	9' 7"	15' 1"	13' 8"	9' 7"	13' 0"	10' 3"	6' 10"	11' 9"	10' 3"	6' 10"	11' 7"	8' 8"	5' 9"	11' 7"	8' 8"	5' 9"
800JR200-68	17' 2"	15' 8"	13' 6"	16' 2"	14' 8"	12' 10"	14' 0"	12' 8"	10' 7"	12' 8"	11' 6"	10' 1"	14' 0"	12' 8"	9' 0"	12' 8"	11' 6"	9' 0"
800JR200-97	19' 1"	17' 4"	15' 2"	18' 0"	16' 4"	14' 3"	15' 6"	14' 1"	12' 3"	14' 1"	12' 9"	11' 2"	15' 6"	14' 1"	12' 3"	14' 1"	12' 9"	11' 2"
800JR250-43	12' 4"	9' 3"	6' 2"	12' 4"	9' 3"	6' 2"	8' 10"	6' 7"	4' 4"	8' 10"	6' 7"	4' 4"	7' 6"	5' 7"	3' 9"	7' 6"	5' 7"	3' 9"
800JR250-54	16' 8"	14' 4"	9' 7"	15' 9"	14' 3"	9' 7"	13' 7"	10' 3"	6' 10"	12' 3"	10' 3"	6' 10"	11' 7"	8' 8"	5' 9"	11' 7"	8' 8"	5' 9"
800JR250-68	18' 0"	16' 4"	13' 8"	17' 0"	15' 4"	13' 6"	14' 7"	13' 3"	10' 7"	13' 3"	12' 1"	10' 6"	14' 7"	13' 0"	9' 0"	13' 3"	12' 1"	9' 0"
800JR250-97	20' 0"	18' 2"	15' 10"	18' 10"	17' 1"	15' 0"	16' 2"	14' 9"	12' 10"	14' 9"	13' 4"	11' 8"	16' 2"	14' 9"	12' 10"	14' 9"	13' 4"	11' 8"
800JR300-43	12' 4"	9' 3"	6' 2"	12' 4"	9' 3"	6' 2"	8' 10"	6' 7"	4' 4"	8' 10"	6' 7"	4' 4"	7' 6"	5' 7"	3' 9"	7' 6"	5' 7"	3' 9"
800JR300-54	17' 1"	14' 4"	9' 7"	16' 1"	14' 4"	9' 7"	13' 8"	10' 3"	6' 10"	12' 7"	10' 3"	6' 10"	11' 7"	8' 8"	5' 9"	11' 7"	8' 8"	5' 9"
800JR300-68	18' 7"	16' 10"	13' 10"	17' 6"	15' 10"	13' 10"	15' 0"	13' 8"	10' 7"	13' 8"	12' 4"	10' 7"	15' 0"	13' 3"	9' 0"	13' 8"	12' 4"	9' 0"
800JR300-97	20' 10"	19' 0"	16' 7"	19' 7"	17' 9"	15' 7"	16' 10"	15' 4"	13' 4"	15' 4"	14' 0"	12' 2"	16' 10"	15' 4"	13' 4"	15' 4"	14' 0"	12' 2"
800JR350-43	12' 4"	9' 3"	6' 2"	12' 4"	9' 3"	6' 2"	8' 10"	6' 7"	4' 4"	8' 10"	6' 7"	4' 4"	7' 6"	5' 7"	3' 9"	7' 6"	5' 7"	3' 9"
800JR350-54	17' 9"	14' 4"	9' 7"	16' 9"	14' 4"	9' 7"	13' 8"	10' 3"	6' 10"	13' 1"	10' 3"	6' 10"	11' 7"	8' 8"	5' 9"	11' 7"	8' 8"	5' 9"
800JR350-68	19' 6"	17' 8"	14' 9"	18' 3"	16' 7"	14' 6"	15' 9"	14' 3"	10' 7"	14' 3"	13' 0"	10' 7"	15' 9"	13' 6"	9' 0"	14' 3"	13' 0"	9' 0"
800JR350-97	21' 10"	19' 10"	17' 4"	20' 7"	18' 8"	16' 3"	17' 8"	16' 1"	14' 1"	16' 1"	14' 7"	12' 9"	17' 8"	16' 1"	14' 1"	16' 1"	14' 7"	12' 9"
1000JR200-43	14' 3"	10' 10"	7' 2"	14' 3"	10' 10"	7' 2"	10' 3"	7' 9"	5' 2"	10' 3"	7' 9"	5' 2"	8' 9"	6' 7"	4' 4"	8' 9"	6' 7"	4' 4"
1000JR200-54	19' 0"	16' 9"	11' 2"	17' 10"	16' 3"	11' 2"	15' 4"	12' 0"	8' 0"	14' 0"	12' 0"	8' 0"	13' 7"	10' 2"	6' 9"	13' 7"	10' 2"	6' 9"
1000JR200-68	20' 4"	18' 7"	15' 7"	19' 2"	17' 6"	15' 3"	16' 7"	15' 1"	12' 3"	15' 1"	13' 8"	12' 0"	16' 7"	14' 10"	10' 6"	15' 1"	13' 8"	10' 6"
1000JR200-97	22' 8"	20' 7"	18' 0"	21' 4"	19' 4"	17' 0"	18' 4"	16' 8"	14' 7"	16' 8"	15' 2"	13' 3"	18' 4"	16' 8"	14' 3"	16' 8"	15' 2"	13' 3"
1000JR250-43	14' 6"	10' 10"	7' 2"	14' 6"	10' 10"	7' 2"	10' 3"	7' 9"	5' 2"	10' 3"	7' 9"	5' 2"	8' 9"	6' 7"	4' 4"	8' 9"	6' 7"	4' 4"
1000JR250-54	19' 9"	16' 9"	11' 2"	18' 7"	16' 9"	11' 2"	16' 0"	12' 0"	8' 0"	14' 7"	12' 0"	8' 0"	13' 7"	10' 2"	6' 9"	13' 7"	10' 2"	6' 9"
1000JR250-68	21' 3"	19' 3"	15' 9"	20' 1"	18' 2"	15' 9"	17' 3"	15' 8"	12' 3"	15' 8"	14' 3"	12' 3"	17' 3"	15' 0"	10' 6"	15' 8"	14' 3"	10' 6"
1000JR250-97	23' 8"	21' 7"	18' 9"	22' 3"	20' 3"	17' 8"	19' 2"	17' 6"	15' 3"	17' 6"	15' 10"	13' 10"	19' 2"	17' 6"	15' 1"	17' 6"	15' 10"	13' 10"
1000JR300-43	14' 6"	10' 10"	7' 2"	14' 6"	10' 10"	7' 2"	10' 3"	7' 9"	5' 2"	10' 3"	7' 9"	5' 2"	8' 9"	6' 7"	4' 4"	8' 9"	6' 7"	4' 4"
1000JR300-54	20' 0"	16' 9"	11' 2"	19' 0"	16' 9"	11' 2"	16' 0"	12' 0"	8' 0"	14' 10"	12' 0"	8' 0"	13' 7"	10' 2"	6' 9"	13' 7"	10' 2"	6' 9"
1000JR300-68	21' 10"	19' 7"	16' 0"	20' 7"	18' 8"	16' 0"	17' 9"	16' 1"	12' 3"	16' 1"	14' 8"	12' 3"	17' 7"	15' 3"	10' 6"	16' 1"	14' 8"	10' 6"
1000JR300-97	24' 8"	22' 4"	19' 7"	23' 2"	21' 1"	18' 4"	20' 0"	18' 2"	15' 10"	18' 2"	16' 6"	14' 4"	20' 0"	18' 2"	15' 6"	18' 2"	16' 6"	14' 4"
1000JR350-43	14' 6"	10' 10"	7' 2"	14' 6"	10' 10"	7' 2"	10' 3"	7' 9"	5' 2"	10' 3"	7' 9"	5' 2"	8' 9"	6' 7"	4' 4"	8' 9"	6' 7"	4' 4"
1000JR350-54	21' 0"	16' 9"	11' 2"	19' 9"	16' 9"	11' 2"	16' 0"	12' 0"	8' 0"	15' 6"	12' 0"	8' 0"	13' 7"	10' 2"	6' 9"	13' 7"	10' 2"	6' 9"
1000JR350-68	23' 0"	20' 10"	17' 3"	21' 7"	19' 7"	17' 1"	18' 7"	16' 10"	12' 3"	16' 10"	15' 4"	12' 3"	18' 7"	15' 8"	10' 6"	16' 10"	15' 4"	10' 6"
1000JR350-97	25' 9"	23' 4"	20' 6"	24' 3"	22' 1"	19' 3"	20' 10"	19' 0"	16' 7"	19' 0"	17' 3"	15' 1"	20' 10"	19' 0"	16' 3"	19' 0"	17' 3"	15' 1"
1200JR200-54	21' 7"	16' 2"	10' 9"	20' 6"	16' 2"	10' 9"	15' 4"	11' 7"	7' 8"	15' 4"	11' 7"	7' 8"	13' 1"	9' 9"	6' 6"	13' 1"	9' 9"	6' 6"
1200JR200-68	23' 4"	21' 3"	16' 7"	22' 0"	20' 0"	16' 7"	19' 0"	17' 3"	11' 9"	17' 3"	15' 8"	11' 9"	19' 0"	15' 1"	10' 0"	17' 3"	15' 1"	10' 0"
1200JR200-97	26' 0"	23' 8"	20' 6"	24' 6"	22' 3"	19' 4"	21' 1"	19' 2"	16' 9"	19' 2"	17' 4"	15' 2"	21' 1"	19' 2"	16' 0"	19' 2"	17' 4"	15' 2"
1200JR250-54	21' 7"	16' 2"	10' 9"	21' 3"	16' 2"	10' 9"	15' 4"	11' 7"	7' 8"	15' 4"	11' 7"	7' 8"	13' 1"	9' 9"	6' 6"	13' 1"	9' 9"	6' 6"
1200JR250-68	24' 4"	21' 7"	16' 7"	23' 0"	20' 10"	16' 7"	19' 9"	17' 9"	11' 9"	18' 0"	16' 3"	11' 9"	19' 4"	15' 1"	10' 0"	18' 0"	15' 1"	10' 0"
1200JR250-97	27' 1"	24' 8"	21' 6"	25' 6"	23' 2"	20' 3"	22' 0"	20' 0"	17' 6"	20' 0"	18' 2"	15' 10"	22' 0"	20' 0"	16' 10"	20' 0"	18' 2"	15' 10"
1200JR300-54	21' 7"	16' 2"	10' 9"	21' 7"	16' 2"	10' 9"	15' 4"	11' 7"	7' 8"	15' 4"	11' 7"	7' 8"	13' 1"	9' 9"	6' 6"	13' 1"	9' 9"	6' 6"
1200JR300-68	25' 0"	21' 10"	16' 7"	23' 6"	21' 4"	16' 7"	20' 3"	17' 9"	11' 9"	18' 4"	16' 9"	11' 9"	19' 8"	15' 1"	10' 0"	18' 4"	15' 1"	10' 0"
1200JR300-97	28' 2"	25' 7"	22' 3"	26' 6"	24' 1"	21' 0"	22' 9"	20' 9"	18' 1"	20' 9"	18' 10"	16' 6"	22' 9"	20' 9"	17' 3"	20' 9"	18' 10"	16' 6"
1200JR350-54	21' 7"	16' 2"	10' 9"	21' 7"	16' 2"	10' 9"	15' 4"	11' 7"	7' 8"	15' 4"	11' 7"	7' 8"	13' 1"	9' 9"	6' 6"	13' 1"	9' 9"	6' 6"
1200JR350-68	26' 2"	23' 7"	16' 7"	24' 8"	22' 4"	16' 7"	21' 3"	17' 9"	11' 9"	19' 3"	17' 6"	11' 9"	20' 1"	15' 1"	10' 0"	19' 3"	15' 1"	10' 0"
1200JR350-97	29' 6"	26' 9"	23' 3"	27' 8"	25' 2"	22' 0"	23' 10"	21' 8"	19' 0"	21' 8"	19' 8"	17' 2"	23' 10"	21' 8"	18' 1"	21' 8"	19' 8"	17' 2"
1400JR200-54	25' 1"	19' 10"	13' 3"	23' 8"	19' 10"	13' 3"	19' 0"	14' 2"	9' 6"	18' 6"	14' 2"	9' 6"	16' 1"	12' 1"	8' 0"	16' 1"	12' 1"	8' 0"
1400JR200-68	27' 0"	24' 7"	20' 1"	25' 4"	23' 1"	20' 1"	21' 10"	19' 10"	14' 9"	19' 10"	18' 1"	14' 9"	21' 10"	18' 10"	12' 7"	19' 10"	18' 1"	12' 7"
1400JR200-97	30' 1"	27' 4"	23' 7"	28' 3"	25' 8"	22' 6"	24' 4"	22' 2"	19' 4"	22' 2"	20' 2"	17' 7"	24' 4"	22' 2"	18' 4"	22' 2"	20' 2"	17' 7"
1400JR250-54	25' 3"	19' 10"	13' 3"	24' 6"	19' 10"	13' 3"	19' 0"	14' 2"	9' 6"	19' 0"	14' 2"	9' 6"	16' 1"	12' 1"	8' 0"	16' 1"	12' 1"	8' 0"
1400JR250-68	28' 0"	24' 9"	20' 2"	26' 4"	24' 0"	20' 2"	22' 8"	20' 8"	14' 9"	20' 8"	18' 9"	14' 9"	22' 3"	18' 10"	12' 7"	20' 8"	18' 9"	12' 7"
1400JR250-97	31' 3"	28' 4"	24' 9"	29' 4"	26' 8"	23' 3"	25' 3"	23' 0"	20' 1"	23' 0"	20' 10"	18' 3"	25' 3"	23' 0"	19' 4"	23' 0"	20' 10"	18' 3"
1400JR300-54	25' 7"	19' 10"	13' 3"	24' 10"	19' 10"	13' 3"	19' 0"	14' 2"	9' 6"	19' 0"	14' 2"	9' 6"	16' 1"	12' 1"	8' 0"	16' 1"	12' 1"	8' 0"
1400JR300-68	28' 8"	25' 1"	20' 6"	27' 0"	24' 6"	20' 6"	23' 3"	21' 1"	14' 9"	21' 1"	19' 2"	14' 9"	22' 7"	18' 10"	12' 7"	21' 1"	18' 10"	12' 7"
1400JR300-97	32' 3"	29' 4"	25' 4"	30' 4"	27' 7"	24' 1"	26' 2"	23' 9"	20' 9"	23' 9"	21' 7"	18' 10"	26' 2"	23' 9"	19' 9"	23' 9"	21' 7"	18' 10"
1400JR350-54	26' 6"	19' 10"	13' 3"	25' 9"	19' 10"	13' 3"	19' 0"	14' 2"	9' 6"	19' 0"	14' 2"	9' 6"	16' 1"	12' 1"	8' 0"	16' 1"	12' 1"	8' 0"
1400JR350-68	29' 10"	26' 10"	20' 9"	28' 2"	25' 7"	20' 9"	24' 3"	22' 1"	14' 9"	22' 1"	20' 0"	14' 9"	24' 2"	18' 10"	12' 7"	22' 1"	18' 10"	12' 7"
1400JR350-97	33' 8"	30' 7"	26' 6"	31' 8"	28' 9"	25' 2"	27' 3"	24' 9"	21' 8"	24' 9"	22' 6"	19' 8"	27' 3"	24' 9"	20' 7"	24' 9"	22' 6"	19' 8"
1600JR200-68	30' 6"	27' 2"	22' 2"	28' 8"	26' 1"	22' 2"	24' 9"	22' 6"	18' 3"	22' 6"	20' 4"	17' 10"	24' 4"	21' 2"	15' 6"	22' 6"	20' 4"	15' 6"
1600JR200-97	34' 0"	30' 10"	26' 7"	32' 0"	29' 1"	25' 4"	27' 7"	25' 1"	21' 10"	25' 1"	22' 9"	19' 10"	27' 7"	25' 1"	20' 8"	25' 1"	22' 9"	19' 10"
1600JR250-68	31' 7"	27' 3"	22' 3"	29' 8"	27' 0"	22' 3"	25' 7"	23' 1"	18' 3"	23' 2"	21' 1"	18' 3"	24' 7"	21' 3"	15' 6"	23' 2"		

# Single Span Maximum Floor Joist Loads (PSF)



www.MarinoWARE.com

**NOTES:**

1. Strength is the maximum allowable load based on the strength of the framing member with the compression flange fully braced.
2. L/360 and L/480 is the maximum allowable load for the respective deflection limits based on the compression flange fully braced.
3. ICC ESS ESR 1741 publishes the lower value of strength or deflection. This catalog publishes both values

SECTION >>>	800JR200-43			800JR200-54			800JR200-68			800JR200-97			800JR250-43			800JR250-54			
	Joist Spacing (in.) o.c.			Joist Spacing (in.) o.c.			Joist Spacing (in.) o.c.			Joist Spacing (in.) o.c.			Joist Spacing (in.) o.c.			Joist Spacing (in.) o.c.			
SPAN, L (ft)	12	16	24	12	16	24	12	16	24	12	16	24	12	16	24	12	16	24	
8 STRENGTH	155	116	78	240	180	120	370	278	185	617	463	309	155	116	78	240	180	120	
	L/360	436	327	218	540	405	270	667	500	333	912	684	456	492	369	246	611	458	305
	L/480	327	245	164	405	304	202	500	375	250	684	513	342	369	277	184	458	344	229
9 STRENGTH	138	103	69	213	160	107	329	247	165	549	412	274	138	103	69	213	160	107	
	L/360	306	230	153	379	284	190	468	351	234	640	480	320	345	259	173	429	322	214
	L/480	230	172	115	284	213	142	351	263	176	480	360	240	259	194	130	322	241	161
10 STRENGTH	124	93	62	192	144	96	296	222	148	494	370	247	124	93	62	192	144	96	
	L/360	223	167	112	276	207	138	341	256	171	467	350	233	252	189	126	313	235	156
	L/480	167	126	84	207	155	104	256	192	128	350	263	175	189	142	94	235	176	117
11 STRENGTH	113	85	56	174	131	87	269	202	135	415	311	207	113	85	56	174	131	87	
	L/360	168	126	84	208	156	104	256	192	128	351	263	175	189	142	95	235	176	117
	L/480	126	94	63	156	117	78	192	144	96	263	197	132	142	106	71	176	132	88
12 STRENGTH	103	78	52	160	120	80	247	185	123	348	261	174	103	78	52	160	120	80	
	L/360	129	97	65	160	120	80	198	148	99	270	203	135	146	109	73	181	136	90
	L/480	97	73	48	120	90	60	148	111	74	203	152	101	109	82	55	136	102	68
13 STRENGTH	90	68	45	148	111	74	217	163	108	297	223	148	95	72	48	148	111	74	
	L/360	102	76	51	126	94	63	155	117	78	213	159	106	115	86	57	142	107	71
	L/480	76	57	38	94	71	47	117	87	58	159	120	80	86	64	43	107	80	53
14 STRENGTH	78	58	39	137	103	69	187	140	94	256	192	128	83	63	42	137	103	69	
	L/360	81	61	41	101	76	50	124	93	62	170	128	85	92	69	46	114	85	57
	L/480	61	46	31	76	57	38	93	70	47	128	96	64	69	52	34	85	64	43
15 STRENGTH	68	51	34	128	96	64	163	122	81	223	167	111	73	54	36	128	96	64	
	L/360	66	50	33	82	61	41	101	76	51	138	104	69	75	56	37	93	69	46
	L/480	50	37	25	61	46	31	76	57	38	104	78	52	56	42	28	69	52	35
16 STRENGTH	60	45	30	112	84	56	143	107	72	196	147	98	64	48	32	112	84	56	
	L/360	55	41	27	67	51	34	83	62	42	114	85	57	61	46	31	76	57	38
	L/480	41	31	20	51	38	25	62	47	31	85	64	43	46	35	23	57	43	29
17 STRENGTH	53	40	26	99	75	50	127	95	63	174	130	87	57	42	28	102	76	51	
	L/360	45	34	23	56	42	28	69	52	35	95	71	48	51	38	26	64	48	32
	L/480	34	26	17	42	32	21	52	39	26	71	53	36	38	29	19	48	36	24
18 STRENGTH	47	35	24	89	66	44	113	85	57	155	116	77	50	38	25	91	68	45	
	L/360	38	29	19	47	36	24	59	44	29	80	60	40	43	32	22	54	40	27
	L/480	29	22	14	36	27	18	44	33	22	60	45	30	32	24	16	40	30	20
19 STRENGTH	42	32	21	80	60	40	102	76	51	139	104	69	45	34	23	82	61	41	
	L/360	33	24	16	40	30	20	50	37	25	68	51	34	37	28	18	46	34	23
	L/480	24	18	12	30	23	15	37	28	19	51	38	26	28	21	14	34	26	17
20 STRENGTH	38	29	19	72	54	36	92	69	46	125	94	63	41	31	20	74	55	37	
	L/360	28	21	14	35	26	17	43	32	21	58	44	29	31	24	16	39	29	20
	L/480	21	16	10	26	19	13	32	24	16	44	33	22	24	18	12	29	22	15
21 STRENGTH	35	26	17	65	49	33	83	62	42	114	85	57	37	28	19	67	50	33	
	L/360	24	18	12	30	22	15	37	28	18	50	38	25	27	20	14	34	25	17
	L/480	18	14	9	22	17	11	28	21	14	38	28	19	20	15	10	25	19	13
22 STRENGTH	31	24	16	59	44	30	76	57	38	104	78	52	34	25	17	61	46	30	
	L/360	21	16	10	26	19	13	32	24	16	44	33	22	24	18	12	29	22	15
	L/480	16	12	8	19	15	10	24	18	12	33	25	16	18	13	9	22	17	11
23 STRENGTH	29	22	14	54	41	27	69	52	35	95	71	47	31	23	15	56	42	28	
	L/360	18	14	9	23	17	11	28	21	14	38	29	19	21	16	10	26	19	13
	L/480	14	10	7	17	13	9	21	16	11	29	22	14	16	12	8	19	14	10
24 STRENGTH	26	20	13	50	37	25	64	48	32	87	65	44	28	21	14	51	38	26	
	L/360	16	12	8	20	15	10	25	19	12	34	25	17	18	14	9	23	17	11
	L/480	12	9	6	15	11	7	19	14	9	25	19	13	14	10	7	17	13	8
25 STRENGTH	24	18	12	46	34	23	59	44	29	80	60	40	26	20	13	47	35	24	
	L/360	14	11	7	18	13	9	22	16	11	30	22	15	16	12	8	20	15	10
	L/480	11	8	5	13	10	7	16	12	8	22	17	11	12	9	6	15	11	8
26 STRENGTH	23	17	11	42	32	21	54	41	27	74	56	37	24	18	12	44	33	22	
	L/360	13	10	6	16	12	8	19	15	10	27	20	13	14	11	7	18	13	9
	L/480	10	7	5	12	9	6	15	11	7	20	15	10	11	8	5	13	10	7
27 STRENGTH	21	16	10	39	30	20	50	38	25	69	52	34	22	17	11	40	30	20	
	L/360	11	9	6	14	11	7	17	13	9	24	18	12	13	10	6	16	12	8
	L/480	9	6	4	11	8	5	13	10	7	18	13	9	10	7	5	12	9	6
28 STRENGTH	19	15	10	37	27	18	47	35	23	64	48	32	21	16	10	38	28	19	
	L/360	10	8	5	13	9	6	16	12	8	21	16	11	11	9	6	14	11	7
	L/480	8	6	4	9	7	5	12	9	6	16	12	8	9	6	4	11	8	5
29 STRENGTH	18	14	9	34	26	17	44	33	22	60	45	30	19	15	10	35	26	18	
	L/360	9	7	5	11	8	6	14	10	7	19	14	10	10	8	5	13	10	6
	L/480	7	5	3	8	6	4	10	8	5	14	11	7	8	6	4	10	7	5
30 STRENGTH	17	13	8	32	24	16	41	31	20	56	42	28	18	14	9	33	25	16	
	L/360	8	6	4	10	8	5	13	9	6	17	13	9	9	7	5	12	9	6
	L/480	6	5	3	8	6	4	9	7	5	13	10	6	7	5	3	9	7	4

SECTION >>>>	800JR250-68			800JR250-97			800JR300-43			800JR300-54			800JR300-68			800JR300-97			
	Joist Spacing (in.) o.c.			Joist Spacing (in.) o.c.			Joist Spacing (in.) o.c.			Joist Spacing (in.) o.c.			Joist Spacing (in.) o.c.			Joist Spacing (in.) o.c.			
SPAN, L (ft)	12	16	24	12	16	24	12	16	24	12	16	24	12	16	24	12	16	24	
8 STRENGTH	370	278	185	617	463	309	155	116	78	240	180	120	370	278	185	617	463	309	
	L/360	762	572	381	1047	786	524	536	402	268	654	490	327	831	623	416	1183	887	591
	L/480	572	429	286	786	589	393	402	301	201	490	368	245	623	468	312	887	665	444
9 STRENGTH	329	247	165	549	412	274	138	103	69	213	160	107	329	247	165	549	412	274	
	L/360	535	402	268	736	552	368	376	282	188	459	344	230	584	438	292	831	623	415
	L/480	402	301	201	552	414	276	282	212	141	344	258	172	438	328	219	623	467	311
10 STRENGTH	296	222	148	494	370	247	124	93	62	192	144	96	296	222	148	494	370	247	
	L/360	390	293	195	536	402	268	274	206	137	335	251	167	426	319	213	606	454	303
	L/480	293	220	146	402	302	201	206	154	103	251	188	125	319	239	160	454	341	227
11 STRENGTH	269	202	135	449	337	224	113	85	56	174	131	87	269	202	135	449	337	224	
	L/360	293	220	147	403	302	201	206	155	103	251	189	126	320	240	160	455	341	227
	L/480	220	165	110	302	227	151	155	116	77	189	141	94	240	180	120	341	256	171
12 STRENGTH	247	185	123	396	297	198	103	78	52	160	120	80	247	185	123	412	309	206	
	L/360	226	169	113	310	233	155	159	119	79	194	145	97	246	185	123	350	263	175
	L/480	169	127	85	233	175	116	119	89	60	145	109	73	185	139	92	263	197	131
13 STRENGTH	222	166	111	337	253	169	95	72	48	148	111	74	228	171	114	358	268	179	
	L/360	178	133	89	244	183	122	125	94	62	152	114	76	194	145	97	276	207	138
	L/480	133	100	67	183	137	92	94	70	47	114	86	57	145	109	73	207	155	103
14 STRENGTH	191	143	96	291	218	145	87	66	44	137	103	69	197	148	99	308	231	154	
	L/360	142	107	71	195	147	98	100	75	50	122	91	61	155	116	78	221	166	110
	L/480	107	80	53	147	110	73	75	56	38	91	69	46	116	87	58	166	124	83
15 STRENGTH	166	125	83	253	190	127	76	57	38	128	96	64	172	129	86	269	201	134	
	L/360	116	87	58	159	119	79	81	61	41	99	74	50	126	95	63	179	135	90
	L/480	87	65	43	119	89	60	61	46	30	74	56	37	95	71	47	135	101	67
16 STRENGTH	146	110	73	223	167	111	67	50	33	118	88	59	151	113	75	236	177	118	
	L/360	95	71	48	131	98	65	67	50	33	82	61	41	104	78	52	148	111	74
	L/480	71	54	36	98	74	49	50	38	25	61	46	31	78	58	39	111	83	55
17 STRENGTH	130	97	65	197	148	99	59	44	30	104	78	52	134	100	67	209	157	105	
	L/360	79	60	40	109	82	55	56	42	28	68	51	34	87	65	43	123	92	62
	L/480	60	45	30	82	61	41	42	31	21	51	38	26	65	49	32	92	69	46
18 STRENGTH	116	87	58	176	132	88	53	40	26	93	70	47	119	89	60	186	140	93	
	L/360	67	50	33	92	69	46	47	35	24	57	43	29	73	55	36	104	78	52
	L/480	50	38	25	69	52	34	35	26	18	43	32	22	55	41	27	78	58	39
19 STRENGTH	104	78	52	158	118	79	47	36	24	83	63	42	107	80	54	167	126	84	
	L/360	57	43	28	78	59	39	40	30	20	49	37	24	62	47	31	88	66	44
	L/480	43	32	21	59	44	29	30	23	15	37	27	18	47	35	23	66	50	33
20 STRENGTH	94	70	47	142	107	71	43	32	21	75	57	38	97	72	48	151	113	76	
	L/360	49	37	24	67	50	34	34	26	17	42	31	21	53	40	27	76	57	38
	L/480	37	27	18	50	38	25	26	19	13	31	24	16	40	30	20	57	43	28
21 STRENGTH	85	64	42	129	97	65	39	29	19	68	51	34	88	66	44	137	103	69	
	L/360	42	32	21	58	43	29	30	22	15	36	27	18	46	34	23	65	49	33
	L/480	32	24	16	43	33	22	22	17	11	27	20	14	34	26	17	49	37	25
22 STRENGTH	77	58	39	118	88	59	35	27	18	62	47	31	80	60	40	125	94	62	
	L/360	37	27	18	50	38	25	26	19	13	31	24	16	40	30	20	57	43	28
	L/480	27	21	14	38	28	19	19	14	10	24	18	12	30	22	15	43	32	21
23 STRENGTH	71	53	35	108	81	54	32	24	16	57	43	28	73	55	37	114	86	57	
	L/360	32	24	16	44	33	22	23	17	11	28	21	14	35	26	17	50	37	25
	L/480	24	18	12	33	25	17	17	13	8	21	15	10	26	20	13	37	28	19
24 STRENGTH	65	49	33	99	74	49	30	22	15	52	39	26	67	50	34	105	79	52	
	L/360	28	21	14	39	29	19	20	15	10	24	18	12	31	23	15	44	33	22
	L/480	21	16	11	29	22	15	15	11	7	18	14	9	23	17	12	33	25	16
25 STRENGTH	60	45	30	91	68	46	27	21	14	48	36	24	62	46	31	97	73	48	
	L/360	25	19	12	34	26	17	18	13	9	21	16	11	27	20	14	39	29	19
	L/480	19	14	9	26	19	13	13	10	7	16	12	8	20	15	10	29	22	15
26 STRENGTH	55	42	28	84	63	42	25	19	13	45	33	22	57	43	29	89	67	45	
	L/360	22	17	11	31	23	15	16	12	8	19	14	10	24	18	12	34	26	17
	L/480	17	12	8	23	17	11	12	9	6	14	11	7	18	14	9	26	19	13
27 STRENGTH	51	39	26	78	59	39	24	18	12	41	31	21	53	40	27	83	62	41	
	L/360	20	15	10	27	20	14	14	10	7	17	13	9	22	16	11	31	23	15
	L/480	15	11	7	20	15	10	10	8	5	13	10	6	16	12	8	23	17	12
28 STRENGTH	48	36	24	73	55	36	22	16	11	38	29	19	49	37	25	77	58	39	
	L/360	18	13	9	24	18	12	13	9	6	15	11	8	19	15	10	28	21	14
	L/480	13	10	7	18	14	9	9	7	5	11	9	6	15	11	7	21	16	10
29 STRENGTH	45	33	22	68	51	34	20	15	10	36	27	18	46	34	23	72	54	36	
	L/360	16	12	8	22	16	11	11	8	6	14	10	7	17	13	9	25	19	12
	L/480	12	9	6	16	12	8	8	6	4	10	8	5	13	10	7	19	14	9
30 STRENGTH	42	31	21	63	47	32	19	14	10	33	25	17	43	32	21	67	50	34	
	L/360	14	11	7	20	15	10	10	8	5	12	9	6	16	12	8	22	17	11
	L/480	11	8	5	15	11	7	8	6	4	9	7	5	12	9	6	17	13	8

# Single Span Maximum Floor Joist Loads (PSF)



See p.9 for notes.

[www.MarinoWARE.com](http://www.MarinoWARE.com)

SECTION >>>>	800JR350-43			800JR350-54			800JR350-68			800JR350-97			1000JR200-43			1000JR200-54			
	Joist Spacing (in.) o.c.			Joist Spacing (in.) o.c.			Joist Spacing (in.) o.c.			Joist Spacing (in.) o.c.			Joist Spacing (in.) o.c.			Joist Spacing (in.) o.c.			
	SPAN, L (ft)	12	16	24	12	16	24	12	16	24	12	16	24	12	16	24	12	16	24
8 STRENGTH	L/360	155	116	78	240	180	120	370	278	185	617	463	309	181	136	91	280	210	140
	L/360	587	440	293	735	551	368	958	719	479	1361	1020	680	726	545	363	899	675	450
	L/480	440	330	220	551	414	276	719	539	359	1020	765	510	545	408	272	675	506	337
9 STRENGTH	L/360	138	103	69	213	160	107	329	247	165	549	412	274	161	121	80	249	187	124
	L/360	412	309	206	516	387	258	673	505	337	956	717	478	510	383	255	632	474	316
	L/480	309	232	154	387	290	194	505	379	252	717	537	358	383	287	191	474	355	237
10 STRENGTH	L/360	124	93	62	192	144	96	296	222	148	494	370	247	145	109	72	224	168	112
	L/360	300	225	150	376	282	188	491	368	245	697	522	348	372	279	186	460	345	230
	L/480	225	169	113	282	212	141	368	276	184	522	392	261	279	209	139	345	259	173
11 STRENGTH	L/360	113	85	56	174	131	87	269	202	135	449	337	224	132	99	66	204	153	102
	L/360	226	169	113	283	212	141	369	276	184	523	393	262	279	210	140	346	259	173
	L/480	169	127	85	212	159	106	276	207	138	393	294	196	210	157	105	259	195	130
12 STRENGTH	L/360	103	78	52	160	120	80	247	185	123	412	309	206	121	91	60	187	140	93
	L/360	174	130	87	218	163	109	284	213	142	403	302	202	215	161	108	266	200	133
	L/480	130	98	65	163	123	82	213	160	106	302	227	151	161	121	81	200	150	100
13 STRENGTH	L/360	95	72	48	148	111	74	228	171	114	380	285	190	111	84	56	172	129	86
	L/360	137	103	68	171	128	86	223	167	112	317	238	159	169	127	85	210	157	105
	L/480	103	77	51	128	96	64	167	126	84	238	178	119	127	95	63	157	118	79
14 STRENGTH	L/360	89	66	44	137	103	69	212	159	106	338	253	169	103	78	52	160	120	80
	L/360	109	82	55	137	103	69	179	134	89	254	190	127	135	102	68	168	126	84
	L/480	82	62	41	103	77	51	134	101	67	190	143	95	102	76	51	126	94	63
15 STRENGTH	L/360	79	59	39	128	96	64	197	148	99	294	221	147	90	68	45	149	112	75
	L/360	89	67	44	112	84	56	145	109	73	206	155	103	110	83	55	136	102	68
	L/480	67	50	33	84	63	42	109	82	55	155	116	77	83	62	41	102	77	51
16 STRENGTH	L/360	69	52	35	120	90	60	177	133	88	259	194	129	79	59	40	140	105	70
	L/360	73	55	37	92	69	46	120	90	60	170	128	85	91	68	45	112	84	56
	L/480	55	41	27	69	52	34	90	67	45	128	96	64	68	51	34	84	63	42
17 STRENGTH	L/360	61	46	31	113	85	56	157	117	78	229	172	115	70	53	35	132	99	66
	L/360	61	46	31	77	57	38	100	75	50	142	106	71	76	57	38	94	70	47
	L/480	46	34	23	57	43	29	75	56	37	106	80	53	57	43	28	70	53	35
18 STRENGTH	L/360	55	41	27	105	79	52	140	105	70	204	153	102	63	47	31	118	89	59
	L/360	51	39	26	65	48	32	84	63	42	119	90	60	64	48	32	79	59	39
	L/480	39	29	19	48	36	24	63	47	32	90	67	45	48	36	24	59	44	30
19 STRENGTH	L/360	49	37	25	94	70	47	125	94	63	183	138	92	56	42	28	106	80	53
	L/360	44	33	22	55	41	27	72	54	36	102	76	51	54	41	27	67	50	34
	L/480	33	25	16	41	31	21	54	40	27	76	57	38	41	30	20	50	38	25
20 STRENGTH	L/360	44	33	22	85	64	42	113	85	57	166	124	83	51	38	25	96	72	48
	L/360	38	28	19	47	35	24	61	46	31	87	65	44	46	35	23	58	43	29
	L/480	28	21	14	35	26	18	46	34	23	65	49	33	35	26	17	43	32	22
21 STRENGTH	L/360	40	30	20	77	58	38	103	77	51	150	113	75	46	35	23	87	65	43
	L/360	32	24	16	41	30	20	53	40	26	75	56	38	40	30	20	50	37	25
	L/480	24	18	12	30	23	15	40	30	20	56	42	28	30	23	15	37	28	19
22 STRENGTH	L/360	37	27	18	70	53	35	93	70	47	137	103	68	42	31	21	79	59	40
	L/360	28	21	14	35	27	18	46	35	23	65	49	33	35	26	17	43	32	22
	L/480	21	16	11	27	20	13	35	26	17	49	37	25	26	20	13	32	24	16
23 STRENGTH	L/360	33	25	17	64	48	32	86	64	43	125	94	63	38	29	19	72	54	36
	L/360	25	19	12	31	23	15	40	30	20	57	43	29	31	23	15	38	28	19
	L/480	19	14	9	23	17	12	30	23	15	43	32	21	23	17	11	28	21	14
24 STRENGTH	L/360	31	23	15	59	44	29	79	59	39	115	86	58	35	26	18	67	50	33
	L/360	22	16	11	27	20	14	35	27	18	50	38	25	27	20	13	33	25	17
	L/480	16	12	8	20	15	10	27	20	13	38	28	19	20	15	10	25	19	12
25 STRENGTH	L/360	28	21	14	54	41	27	72	54	36	106	79	53	32	24	16	61	46	31
	L/360	19	14	10	24	18	12	31	24	16	45	33	22	24	18	12	29	22	15
	L/480	14	11	7	18	14	9	24	18	12	33	25	17	18	13	9	22	17	11
26 STRENGTH	L/360	26	20	13	50	38	25	67	50	33	98	73	49	30	23	15	57	43	28
	L/360	17	13	9	21	16	11	28	21	14	40	30	20	21	16	11	26	20	13
	L/480	13	10	6	16	12	8	21	16	10	30	22	15	16	12	8	20	15	10
27 STRENGTH	L/360	24	18	12	47	35	23	62	47	31	91	68	45	28	21	14	53	39	26
	L/360	15	11	8	19	14	10	25	19	12	35	27	18	19	14	9	23	18	12
	L/480	11	9	6	14	11	7	19	14	9	27	20	13	14	11	7	18	13	9
28 STRENGTH	L/360	23	17	11	43	32	22	58	43	29	84	63	42	26	19	13	49	37	24
	L/360	14	10	7	17	13	9	22	17	11	32	24	16	17	13	8	21	16	10
	L/480	10	8	5	13	10	6	17	13	8	24	18	12	13	10	6	16	12	8
29 STRENGTH	L/360	21	16	11	40	30	20	54	40	27	79	59	39	24	18	12	46	34	23
	L/360	12	9	6	15	12	8	20	15	10	29	21	14	15	11	8	19	14	9
	L/480	9	7	5	12	9	6	15	11	8	21	16	11	11	9	6	14	11	7
30 STRENGTH	L/360	20	15	10	38	28	19	50	38	25	74	55	37	23	17	11	43	32	21
	L/360	11	8	6	14	10	7	18	14	9	26	19	13	14	10	7	17	13	9
	L/480	8	6	4	10	8	5	14	10	7	19	15	10	10	8	5	13		

# Single Span Maximum Floor Joist Loads (PSF)

See p.9 for notes.

SECTION >>>>	1000JR200-68			1000JR200-97			1000JR250-43			1000JR250-54			1000JR250-68			1000JR250-97		
	Joist Spacing (in.) o.c.			Joist Spacing (in.) o.c.			Joist Spacing (in.) o.c.			Joist Spacing (in.) o.c.			Joist Spacing (in.) o.c.			Joist Spacing (in.) o.c.		
SPAN, L (ft)	12	16	24	12	16	24	12	16	24	12	16	24	12	16	24	12	16	24
<b>8 STRENGTH</b>	432	324	216	827	620	413	181	136	91	280	210	140	432	324	216	827	620	413
L/360	1112	834	556	1526	1144	763	813	610	407	1011	758	505	1262	947	631	1739	1304	869
L/480	834	626	417	1144	858	572	610	458	305	758	568	379	947	710	473	1304	978	652
<b>9 STRENGTH</b>	384	288	192	735	551	367	161	121	80	249	187	124	384	288	192	735	551	367
L/360	781	586	391	1072	804	536	571	428	286	710	532	355	887	665	443	1221	916	611
L/480	586	439	293	804	603	402	428	321	214	532	399	266	665	499	332	916	687	458
<b>10 STRENGTH</b>	346	259	173	661	496	331	145	109	72	224	168	112	346	259	173	661	496	331
L/360	570	427	285	781	586	391	416	312	208	517	388	259	646	485	323	890	668	445
L/480	427	320	214	586	439	293	312	234	156	388	291	194	485	364	242	668	501	334
<b>11 STRENGTH</b>	314	236	157	555	416	277	132	99	66	204	153	102	314	236	157	601	451	301
L/360	428	321	214	587	440	294	313	235	156	389	292	194	486	364	243	669	502	334
L/480	321	241	160	440	330	220	235	176	117	292	219	146	364	273	182	502	376	251
<b>12 STRENGTH</b>	288	216	144	466	350	233	121	91	60	187	140	93	288	216	144	525	394	263
L/360	330	247	165	452	339	226	241	181	121	299	225	150	374	281	187	515	386	258
L/480	247	185	124	339	254	170	181	136	90	225	168	112	281	210	140	386	290	193
<b>13 STRENGTH</b>	266	199	133	397	298	199	111	84	56	172	129	86	266	199	133	448	336	224
L/360	259	194	130	356	267	178	190	142	95	236	177	118	294	221	147	405	304	203
L/480	194	146	97	267	200	133	142	107	71	177	132	88	221	165	110	304	228	152
<b>14 STRENGTH</b>	247	185	123	343	257	171	103	78	52	160	120	80	247	185	123	386	290	193
L/360	208	156	104	285	214	142	152	114	76	189	141	94	236	177	118	324	243	162
L/480	156	117	78	214	160	107	114	85	57	141	106	71	177	132	88	243	182	122
<b>15 STRENGTH</b>	218	163	109	298	224	149	96	72	48	149	112	75	221	166	111	336	252	168
L/360	169	127	84	231	174	116	123	93	62	153	115	77	191	144	96	264	198	132
L/480	127	95	63	174	130	87	93	69	46	115	86	57	144	108	72	198	148	99
<b>16 STRENGTH</b>	191	143	96	262	197	131	85	64	42	140	105	70	194	146	97	296	222	148
L/360	139	104	70	191	143	95	102	76	51	126	95	63	158	118	79	217	163	109
L/480	104	78	52	143	107	72	76	57	38	95	71	47	118	89	59	163	122	81
<b>17 STRENGTH</b>	169	127	85	232	174	116	75	56	38	132	99	66	172	129	86	262	196	131
L/360	116	87	58	159	119	80	85	64	42	105	79	53	132	99	66	181	136	91
L/480	87	65	43	119	89	60	64	48	32	79	59	39	99	74	49	136	102	68
<b>18 STRENGTH</b>	151	113	76	207	155	104	67	50	33	121	91	60	154	115	77	234	175	117
L/360	98	73	49	134	100	67	71	54	36	89	67	44	111	83	55	153	114	76
L/480	73	55	37	100	75	50	54	40	27	67	50	33	83	62	42	114	86	57
<b>19 STRENGTH</b>	136	102	68	186	139	93	60	45	30	109	81	54	138	103	69	210	157	105
L/360	83	62	42	114	85	57	61	46	30	75	57	38	94	71	47	130	97	65
L/480	62	47	31	85	64	43	46	34	23	57	42	28	71	53	35	97	73	49
<b>20 STRENGTH</b>	122	92	61	168	126	84	54	41	27	98	73	49	124	93	62	189	142	95
L/360	71	53	36	98	73	49	52	39	26	65	49	32	81	61	40	111	83	56
L/480	53	40	27	73	55	37	39	29	20	49	36	24	61	45	30	83	63	42
<b>21 STRENGTH</b>	111	83	55	152	114	76	49	37	25	89	67	44	113	85	56	172	129	86
L/360	61	46	31	84	63	42	45	34	22	56	42	28	70	52	35	96	72	48
L/480	46	35	23	63	47	32	34	25	17	42	31	21	52	39	26	72	54	36
<b>22 STRENGTH</b>	101	76	51	139	104	69	45	34	22	81	61	40	103	77	51	156	117	78
L/360	53	40	27	73	55	37	39	29	20	49	36	24	61	46	30	84	63	42
L/480	40	30	20	55	41	28	29	22	15	36	27	18	46	34	23	63	47	31
<b>23 STRENGTH</b>	93	69	46	127	95	63	41	31	20	74	56	37	94	71	47	143	107	72
L/360	47	35	23	64	48	32	34	26	17	43	32	21	53	40	27	73	55	37
L/480	35	26	18	48	36	24	26	19	13	32	24	16	40	30	20	55	41	27
<b>24 STRENGTH</b>	85	64	42	117	87	58	38	28	19	68	51	34	86	65	43	131	99	66
L/360	41	31	21	57	42	28	30	23	15	37	28	19	47	35	23	64	48	32
L/480	31	23	15	42	32	21	23	17	11	28	21	14	35	26	18	48	36	24
<b>25 STRENGTH</b>	78	59	39	107	81	54	35	26	17	63	47	31	80	60	40	121	91	61
L/360	36	27	18	50	38	25	27	20	13	33	25	17	41	31	21	57	43	28
L/480	27	21	14	38	28	19	20	15	10	25	19	12	31	23	16	43	32	21
<b>26 STRENGTH</b>	72	54	36	99	74	50	32	24	16	58	43	29	74	55	37	112	84	56
L/360	32	24	16	44	33	22	24	18	12	29	22	15	37	28	18	51	38	25
L/480	24	18	12	33	25	17	18	13	9	22	17	11	28	21	14	38	28	19
<b>27 STRENGTH</b>	67	50	34	92	69	46	30	22	15	54	40	27	68	51	34	104	78	52
L/360	29	22	14	40	30	20	21	16	11	26	20	13	33	25	16	45	34	23
L/480	22	16	11	30	22	15	16	12	8	20	15	10	25	18	12	34	25	17
<b>28 STRENGTH</b>	62	47	31	86	64	43	28	21	14	50	37	25	63	48	32	97	72	48
L/360	26	19	13	36	27	18	19	14	9	24	18	12	29	22	15	41	30	20
L/480	19	15	10	27	20	13	14	11	7	18	13	9	22	17	11	30	23	15
<b>29 STRENGTH</b>	58	44	29	80	60	40	26	19	13	47	35	23	59	44	30	90	67	45
L/360	23	18	12	32	24	16	17	13	9	21	16	11	26	20	13	36	27	18
L/480	18	13	9	24	18	12	13	10	6	16	12	8	20	15	10	27	21	14
<b>30 STRENGTH</b>	54	41	27	75	56	37	24	18	12	44	33	22	55	41	28	84	63	42
L/360	21	16	11	29	22	14	15	12	8	19	14	10	24	18	12	33	25	16
L/480	16	12	8	22	16	11	12	9	6	14	11	7	18	13	9	25	19	12
<b>31 STRENGTH</b>	51	38																

# Single Span Maximum Floor Joist Loads (PSF)



See p.9 for notes.

[www.MarinoWARE.com](http://www.MarinoWARE.com)

SECTION >>>>	1000JR300-43			1000JR300-54			1000JR300-68			1000JR300-97			1000JR350-43			1000JR350-54		
	Joist Spacing (in.) o.c.			Joist Spacing (in.) o.c.			Joist Spacing (in.) o.c.			Joist Spacing (in.) o.c.			Joist Spacing (in.) o.c.			Joist Spacing (in.) o.c.		
SPAN, L (ft)	12	16	24	12	16	24	12	16	24	12	16	24	12	16	24	12	16	24
<b>8 STRENGTH</b>	181	136	91	280	210	140	432	324	216	827	620	413	181	136	91	280	210	140
L/360	883	662	441	1077	808	538	1368	1026	684	1951	1463	976	964	723	482	1209	907	604
L/480	662	496	331	808	606	404	1026	770	513	1463	1098	732	723	542	362	907	680	453
<b>9 STRENGTH</b>	161	121	80	249	187	124	384	288	192	735	551	367	161	121	80	249	187	124
L/360	620	465	310	756	567	378	961	721	481	1370	1028	685	677	508	339	849	637	424
L/480	465	349	232	567	425	284	721	541	360	1028	771	514	508	381	254	637	478	318
<b>10 STRENGTH</b>	145	109	72	224	168	112	346	259	173	661	496	331	145	109	72	224	168	112
L/360	452	339	226	551	414	276	701	525	350	999	749	500	494	370	247	619	464	309
L/480	339	254	169	414	310	207	525	394	263	749	562	375	370	278	185	464	348	232
<b>11 STRENGTH</b>	132	99	66	204	153	102	314	236	157	601	451	301	132	99	66	204	153	102
L/360	339	255	170	414	311	207	526	395	263	751	563	375	371	278	185	465	349	232
L/480	255	191	127	311	233	155	395	296	197	563	422	281	278	209	139	349	262	174
<b>12 STRENGTH</b>	121	91	60	187	140	93	288	216	144	551	413	276	121	91	60	187	140	93
L/360	261	196	131	319	239	160	405	304	203	578	434	289	286	214	143	358	269	179
L/480	196	147	98	239	179	120	304	228	152	434	325	217	214	161	107	269	201	134
<b>13 STRENGTH</b>	111	84	56	172	129	86	266	199	133	472	354	236	111	84	56	172	129	86
L/360	206	154	103	251	188	125	319	239	159	455	341	227	225	169	112	282	211	141
L/480	154	116	77	188	141	94	239	179	120	341	256	171	169	126	84	211	158	106
<b>14 STRENGTH</b>	103	78	52	160	120	80	247	185	123	407	305	203	103	78	52	160	120	80
L/360	165	124	82	201	151	100	255	192	128	364	273	182	180	135	90	226	169	113
L/480	124	93	62	151	113	75	192	144	96	273	205	137	135	101	67	169	127	85
<b>15 STRENGTH</b>	97	72	48	149	112	75	228	171	114	355	266	177	97	72	48	149	112	75
L/360	134	100	67	163	123	82	208	156	104	296	222	148	146	110	73	183	138	92
L/480	100	75	50	123	92	61	156	117	78	222	167	111	110	82	55	138	103	69
<b>16 STRENGTH</b>	89	66	44	140	105	70	200	150	100	312	234	156	91	68	45	140	105	70
L/360	110	83	55	135	101	67	171	128	86	244	183	122	121	90	60	151	113	76
L/480	83	62	41	101	76	50	128	96	64	183	137	91	90	68	45	113	85	57
<b>17 STRENGTH</b>	78	59	39	132	99	66	177	133	89	276	207	138	81	61	40	132	99	66
L/360	92	69	46	112	84	56	143	107	71	203	153	102	100	75	50	126	94	63
L/480	69	52	34	84	63	42	107	80	53	153	114	76	75	57	38	94	71	47
<b>18 STRENGTH</b>	70	53	35	123	93	62	158	119	79	246	185	123	72	54	36	124	93	62
L/360	77	58	39	95	71	47	120	90	60	171	128	86	85	63	42	106	80	53
L/480	58	44	29	71	53	35	90	68	45	128	96	64	63	48	32	80	60	40
<b>19 STRENGTH</b>	63	47	31	111	83	55	142	106	71	221	166	110	65	49	32	118	88	59
L/360	66	49	33	80	60	40	102	77	51	146	109	73	72	54	36	90	68	45
L/480	49	37	25	60	45	30	77	57	38	109	82	55	54	40	27	68	51	34
<b>20 STRENGTH</b>	57	43	28	100	75	50	128	96	64	199	150	100	58	44	29	112	84	56
L/360	56	42	28	69	52	34	88	66	44	125	94	62	62	46	31	77	58	39
L/480	42	32	21	52	39	26	66	49	33	94	70	47	46	35	23	58	44	29
<b>21 STRENGTH</b>	51	39	26	91	68	45	116	87	58	181	136	90	53	40	27	102	76	51
L/360	49	37	24	60	45	30	76	57	38	108	81	54	53	40	27	67	50	33
L/480	37	27	18	45	33	22	57	43	28	81	61	40	40	30	20	50	38	25
<b>22 STRENGTH</b>	47	35	23	83	62	41	106	79	53	165	124	82	48	36	24	93	69	46
L/360	42	32	21	52	39	26	66	49	33	94	70	47	46	35	23	58	44	29
L/480	32	24	16	39	29	19	49	37	25	70	53	35	35	26	17	44	33	22
<b>23 STRENGTH</b>	43	32	21	76	57	38	97	73	48	151	113	75	44	33	22	85	64	42
L/360	37	28	19	45	34	23	58	43	29	82	62	41	41	30	20	51	38	25
L/480	28	21	14	34	25	17	43	32	22	62	46	31	30	23	15	38	29	19
<b>24 STRENGTH</b>	39	30	20	69	52	35	89	67	44	138	104	69	41	30	20	78	58	39
L/360	33	25	16	40	30	20	51	38	25	72	54	36	36	27	18	45	34	22
L/480	25	18	12	30	22	15	38	29	19	54	41	27	27	20	13	34	25	17
<b>25 STRENGTH</b>	36	27	18	64	48	32	82	61	41	128	96	64	37	28	19	72	54	36
L/360	29	22	14	35	26	18	45	34	22	64	48	32	32	24	16	40	30	20
L/480	22	16	11	26	20	13	34	25	17	48	36	24	24	18	12	30	22	15
<b>26 STRENGTH</b>	34	25	17	59	44	30	76	57	38	118	89	59	35	26	17	66	50	33
L/360	26	19	13	31	24	16	40	30	20	57	43	28	28	21	14	35	26	18
L/480	19	14	10	24	18	12	30	22	15	43	32	21	21	16	11	26	20	13
<b>27 STRENGTH</b>	31	23	16	55	41	27	70	53	35	109	82	55	32	24	16	62	46	31
L/360	23	17	11	28	21	14	36	27	18	51	38	25	25	19	13	31	24	16
L/480	17	13	9	21	16	11	27	20	13	38	29	19	19	14	9	24	18	12
<b>28 STRENGTH</b>	29	22	14	51	38	26	65	49	33	102	76	51	30	22	15	57	43	29
L/360	21	15	10	25	19	13	32	24	16	46	34	23	22	17	11	28	21	14
L/480	15	12	8	19	14	9	24	18	12	34	26	17	17	13	8	21	16	11
<b>29 STRENGTH</b>	27	20	13	48	36	24	61	46	30	95	71	47	28	21	14	53	40	27
L/360	19	14	9	23	17	11	29	22	14	41	31	20	20	15	10	25	19	13
L/480	14	10	7	17	13	8	22	16	11	31	23	15	15	11	8	19	14	10
<b>30 STRENGTH</b>	25	19	13	44	33	22	57	43	28	89	66	44	26	19	13	50	37	25
L/360	17	13	8	20	15	10	26	19	13	37	28	19	18	14	9	23	17	11
L/480	13	9	6	15	11	8	19	15	10	28	21	14	14	10	7	17	13	9
<b>31 STRENGTH</b>	24	18	12	42	31</													

SECTION >>>>	1000JR350-68			1000JR350-97			1200JR200-54			1200JR200-68			1200JR200-97			1200JR250-54		
	Joist Spacing (in.) o.c.			Joist Spacing (in.) o.c.			Joist Spacing (in.) o.c.			Joist Spacing (in.) o.c.			Joist Spacing (in.) o.c.			Joist Spacing (in.) o.c.		
SPAN, L (ft)	12	16	24	12	16	24	12	16	24	12	16	24	12	16	24	12	16	24
<b>8 STRENGTH</b>	432	324	216	427	620	413	270	202	135	414	311	207	786	589	393	270	202	135
L/360	1575	1181	787	2238	1678	1119	1351	1013	676	1672	1254	836	2298	1723	1149	1512	1134	756
L/480	1181	886	590	1678	1259	839	1013	760	507	1254	941	627	1723	1292	862	1134	850	567
<b>9 STRENGTH</b>	384	288	192	735	551	367	240	180	120	368	276	184	698	524	349	240	180	120
L/360	1106	829	553	1572	1179	786	949	712	475	1175	881	587	1614	1210	807	1062	796	531
L/480	829	622	415	1179	884	589	712	534	356	881	661	440	1210	908	605	796	597	398
<b>10 STRENGTH</b>	346	259	173	661	496	331	216	162	108	332	249	166	629	471	314	216	162	108
L/360	806	605	403	1146	859	573	692	519	346	856	642	428	1176	882	588	774	580	387
L/480	605	454	302	859	644	430	519	389	259	642	482	321	882	662	441	580	435	290
<b>11 STRENGTH</b>	314	236	157	601	451	301	196	147	98	301	226	151	571	429	286	196	147	98
L/360	606	454	303	861	646	430	520	390	260	643	482	322	884	663	442	581	436	291
L/480	454	341	227	646	484	323	390	292	195	482	362	241	663	497	331	436	327	218
<b>12 STRENGTH</b>	288	216	144	551	413	276	180	135	90	276	207	138	524	393	262	180	135	90
L/360	467	350	233	663	497	332	400	300	200	496	372	248	681	511	340	448	336	224
L/480	350	262	175	497	373	249	300	225	150	372	279	186	511	383	255	336	252	168
<b>13 STRENGTH</b>	266	199	133	509	382	254	166	124	83	255	191	128	484	363	242	166	124	83
L/360	367	275	183	521	391	261	315	236	157	390	292	195	535	402	268	352	264	176
L/480	275	206	138	391	293	196	236	177	118	292	219	146	402	301	201	264	198	132
<b>14 STRENGTH</b>	247	185	123	445	334	222	154	116	77	237	178	118	430	322	215	154	116	77
L/360	294	220	147	418	313	209	252	189	126	312	234	156	429	322	214	282	212	141
L/480	220	165	110	313	235	157	189	142	95	234	176	117	322	241	161	212	159	106
<b>15 STRENGTH</b>	230	173	115	388	291	194	144	108	72	221	166	111	374	281	187	144	108	72
L/360	239	179	119	339	255	170	205	154	102	254	190	127	349	261	174	229	172	115
L/480	179	134	90	255	191	127	154	115	77	190	143	95	261	196	131	172	129	86
<b>16 STRENGTH</b>	216	162	108	341	255	170	135	101	67	207	155	104	329	247	165	135	101	67
L/360	197	148	98	280	210	140	169	127	84	209	157	105	287	215	144	189	142	94
L/480	148	111	74	210	157	105	127	95	63	157	118	78	215	162	108	142	106	71
<b>17 STRENGTH</b>	203	152	102	302	226	151	127	95	63	195	146	98	292	219	146	127	95	63
L/360	164	123	82	233	175	117	141	106	70	174	131	87	239	180	120	158	118	79
L/480	123	92	62	175	131	87	106	79	53	131	98	65	180	135	90	118	89	59
<b>18 STRENGTH</b>	184	138	92	269	202	135	120	90	60	184	138	92	260	195	130	120	90	60
L/360	138	104	69	196	147	98	119	89	59	147	110	73	202	151	101	133	100	66
L/480	104	78	52	147	111	74	89	67	44	110	83	55	151	113	76	100	75	50
<b>19 STRENGTH</b>	165	124	83	242	181	121	114	85	57	170	127	85	233	175	117	114	85	57
L/360	118	88	59	167	125	84	101	76	50	125	94	62	172	129	86	113	85	56
L/480	88	66	44	125	94	63	76	57	38	94	70	47	129	96	64	85	63	42
<b>20 STRENGTH</b>	149	112	75	218	163	109	108	81	54	153	115	77	211	158	105	108	81	54
L/360	101	76	50	143	107	72	86	65	43	107	80	54	147	110	74	97	73	48
L/480	76	57	38	107	81	54	65	49	32	80	60	40	110	83	55	73	54	36
<b>21 STRENGTH</b>	135	101	68	198	148	99	103	77	51	139	104	70	191	143	96	103	77	51
L/360	87	65	44	124	93	62	75	56	37	92	69	46	127	95	64	84	63	42
L/480	65	49	33	93	70	46	56	42	28	69	52	35	95	71	48	63	47	31
<b>22 STRENGTH</b>	123	92	62	180	135	90	98	74	49	127	95	63	174	131	87	98	74	49
L/360	76	57	38	108	81	54	65	49	32	80	60	40	110	83	55	73	55	36
L/480	57	43	28	81	61	40	49	37	24	60	45	30	83	62	41	55	41	27
<b>23 STRENGTH</b>	113	85	56	165	124	82	91	68	45	116	87	58	159	119	80	93	69	46
L/360	66	50	33	94	71	47	57	43	28	70	53	35	97	73	48	64	48	32
L/480	50	37	25	71	53	35	43	32	21	53	40	26	73	54	36	48	36	24
<b>24 STRENGTH</b>	104	78	52	151	114	76	83	63	42	106	80	53	146	110	73	85	64	42
L/360	58	44	29	83	62	41	50	38	25	62	46	31	85	64	43	56	42	28
L/480	44	33	22	62	47	31	38	28	19	46	35	23	64	48	32	42	31	21
<b>25 STRENGTH</b>	95	72	48	140	105	70	77	58	38	98	74	49	135	101	67	78	59	39
L/360	52	39	26	73	55	37	44	33	22	55	41	27	75	56	38	50	37	25
L/480	39	29	19	55	41	27	33	25	17	41	31	21	56	42	28	37	28	19
<b>26 STRENGTH</b>	88	66	44	129	97	64	71	53	36	91	68	45	125	93	62	72	54	36
L/360	46	34	23	65	49	33	39	30	20	49	37	24	67	50	33	44	33	22
L/480	34	26	17	49	37	24	30	22	15	37	27	18	50	38	25	33	25	17
<b>27 STRENGTH</b>	82	61	41	120	90	60	66	49	33	84	63	42	116	87	58	67	50	34
L/360	41	31	20	58	44	29	35	26	18	44	33	22	60	45	30	39	29	20
L/480	31	23	15	44	33	22	26	20	13	33	24	16	45	34	22	29	22	15
<b>28 STRENGTH</b>	76	57	38	111	83	56	61	46	31	78	59	39	107	81	54	62	47	31
L/360	37	28	18	52	39	26	32	24	16	39	29	20	54	40	27	35	26	18
L/480	28	21	14	39	29	20	24	18	12	29	22	15	40	30	20	26	20	13
<b>29 STRENGTH</b>	71	53	35	104	78	52	57	43	29	73	55	36	100	75	50	58	44	29
L/360	33	25	17	47	35	23	28	21	14	35	26	18	48	36	24	32	24	16
L/480	25	19	12	35	26	18	21	16	11	26	20	13	36	27	18	24	18	12
<b>30 STRENGTH</b>	66	50	33	97	73	48	53	40	27	68	51	34	94	70	47	54	41	27
L/360	30	22	15	42	32	21	26	19	13	32	24	16	44	33	22	29	21	14
L/480	22	17																

# Single Span Maximum Floor Joist Loads (PSF)



www.MarinoWARE.com

See p.9 for notes.

SECTION >>>	1200JR250-68			1200JR250-97			1200JR300-54			1200JR300-68			1200JR300-97			1200JR350-54		
	Joist Spacing (in.) o.c.			Joist Spacing (in.) o.c.			Joist Spacing (in.) o.c.			Joist Spacing (in.) o.c.			Joist Spacing (in.) o.c.			Joist Spacing (in.) o.c.		
SPAN, L (ft)	12	16	24	12	16	24	12	16	24	12	16	24	12	16	24	12	16	24
<b>8 STRENGTH</b>	414	311	207	786	589	393	270	202	135	414	311	207	786	589	393	270	202	135
L/360	1889	1417	944	2605	1954	1302	1606	1205	803	2040	1530	1020	2912	2184	1456	1801	1351	900
L/480	1417	1062	708	1954	1465	977	1205	904	602	1530	1147	765	2184	1638	1092	1351	1013	675
<b>9 STRENGTH</b>	368	276	184	698	524	349	240	180	120	368	276	184	698	524	349	240	180	120
L/360	1327	995	663	1829	1372	915	1128	846	564	1433	1075	716	2045	1534	1023	1265	949	632
L/480	995	746	497	1372	1029	686	846	635	423	1075	806	537	1534	1150	767	949	711	474
<b>10 STRENGTH</b>	332	249	166	629	471	314	216	162	108	332	249	166	629	471	314	216	162	108
L/360	967	725	484	1334	1000	667	822	617	411	1044	783	522	1491	1118	745	922	691	461
L/480	725	544	363	1000	750	500	617	463	308	783	587	392	1118	839	559	691	519	346
<b>11 STRENGTH</b>	301	226	151	571	429	286	196	147	98	301	226	151	571	429	286	196	147	98
L/360	727	545	363	1002	751	501	618	463	309	785	589	392	1120	840	560	693	520	346
L/480	545	409	272	751	564	376	463	348	232	589	441	294	840	630	420	520	390	260
<b>12 STRENGTH</b>	276	207	138	524	393	262	180	135	90	276	207	138	524	393	262	180	135	90
L/360	560	420	280	772	579	386	476	357	238	604	453	302	863	647	431	534	400	267
L/480	420	315	210	579	434	289	357	268	178	453	340	227	647	485	324	400	300	200
<b>13 STRENGTH</b>	255	191	128	484	363	242	166	124	83	255	191	128	484	363	242	166	124	83
L/360	440	330	220	607	455	304	374	281	187	475	357	238	679	509	339	420	315	210
L/480	330	248	165	455	341	228	281	211	140	357	267	178	509	382	254	315	236	157
<b>14 STRENGTH</b>	237	178	118	449	337	225	154	116	77	237	178	118	449	337	225	154	116	77
L/360	352	264	176	486	365	243	300	225	150	381	285	190	543	408	272	336	252	168
L/480	264	198	132	365	273	182	225	169	112	285	214	143	408	306	204	252	189	126
<b>15 STRENGTH</b>	221	166	111	419	314	210	144	108	72	221	166	111	419	314	210	144	108	72
L/360	287	215	143	395	296	198	244	183	122	309	232	155	442	331	221	273	205	137
L/480	215	161	107	296	222	148	183	137	91	232	174	116	331	249	166	205	154	102
<b>16 STRENGTH</b>	207	155	104	369	277	184	135	101	67	207	155	104	369	277	184	135	101	67
L/360	236	177	118	326	244	163	201	151	100	255	191	127	364	273	182	225	169	113
L/480	177	133	89	244	183	122	151	113	75	191	143	96	273	205	137	169	127	84
<b>17 STRENGTH</b>	195	146	98	327	245	163	127	95	63	195	146	98	343	257	172	127	95	63
L/360	197	148	98	271	204	136	167	126	84	213	159	106	303	228	152	188	141	94
L/480	148	111	74	204	153	102	126	94	63	159	120	80	228	171	114	141	106	70
<b>18 STRENGTH</b>	184	138	92	292	219	146	120	90	60	184	138	92	306	230	153	120	90	60
L/360	166	124	83	229	172	114	141	106	71	179	134	90	256	192	128	158	119	79
L/480	124	93	62	172	129	86	106	79	53	134	101	67	192	144	96	119	89	59
<b>19 STRENGTH</b>	172	129	86	262	196	131	114	85	57	172	129	86	275	206	137	114	85	57
L/360	141	106	70	194	146	97	120	90	60	152	114	76	217	163	109	134	101	67
L/480	106	79	53	146	109	73	90	67	45	114	86	57	163	122	82	101	76	50
<b>20 STRENGTH</b>	155	116	78	236	177	118	108	81	54	155	116	78	248	186	124	108	81	54
L/360	121	91	60	167	125	83	103	77	51	131	98	65	186	140	93	115	86	58
L/480	91	68	45	125	94	63	77	58	39	98	73	49	140	105	70	86	65	43
<b>21 STRENGTH</b>	141	106	70	214	161	107	103	77	51	145	108	72	225	169	112	103	77	51
L/360	104	78	52	144	108	72	89	67	44	113	85	56	161	121	80	100	75	50
L/480	78	59	39	108	81	54	67	50	33	85	63	42	121	91	60	75	56	37
<b>22 STRENGTH</b>	128	96	64	195	146	98	98	74	49	132	99	66	205	154	102	98	74	49
L/360	91	68	45	125	94	63	77	58	39	98	74	49	140	105	70	87	65	43
L/480	68	51	34	94	70	47	58	43	29	74	55	37	105	79	53	65	49	32
<b>23 STRENGTH</b>	117	88	59	179	134	89	94	70	47	121	90	60	187	141	94	94	70	47
L/360	79	60	40	110	82	55	68	51	34	86	64	43	123	92	61	76	57	38
L/480	60	45	30	82	62	41	51	38	25	64	48	32	92	69	46	57	43	28
<b>24 STRENGTH</b>	108	81	54	164	123	82	87	65	43	111	83	55	172	129	86	90	67	45
L/360	70	52	35	96	72	48	59	45	30	76	57	38	108	81	54	67	50	33
L/480	52	39	26	72	54	36	45	33	22	57	42	28	81	61	40	50	38	25
<b>25 STRENGTH</b>	99	75	50	151	113	76	80	60	40	102	77	51	159	119	79	86	65	43
L/360	62	46	31	85	64	43	53	39	26	67	50	33	95	72	48	59	44	30
L/480	46	35	23	64	48	32	39	30	20	50	38	25	72	54	36	44	33	22
<b>26 STRENGTH</b>	92	69	46	140	105	70	74	55	37	94	71	47	147	110	73	82	62	41
L/360	55	41	28	76	57	38	47	35	23	59	45	30	85	64	42	52	39	26
L/480	41	31	21	57	43	28	35	26	18	45	33	22	64	48	32	39	30	20
<b>27 STRENGTH</b>	85	64	43	130	97	65	68	51	34	87	66	44	136	102	68	76	57	38
L/360	49	37	25	68	51	34	42	31	21	53	40	27	76	57	38	47	35	23
L/480	37	28	18	51	38	25	31	24	16	40	30	20	57	43	28	35	26	18
<b>28 STRENGTH</b>	79	59	40	120	90	60	64	48	32	81	61	41	127	95	63	71	53	36
L/360	44	33	22	61	46	30	37	28	19	48	36	24	68	51	34	42	31	21
L/480	33	25	17	46	34	23	28	21	14	36	27	18	51	38	25	31	24	16
<b>29 STRENGTH</b>	74	55	37	112	84	56	59	44	30	76	57	38	118	88	59	66	50	33
L/360	40	30	20	55	41	27	34	25	17	43	32	21	61	46	31	38	28	19
L/480	30	22	15	41	31	21	25	19	13	32	24	16	46	34	23	28	21	14
<b>30 STRENGTH</b>	69	52	34	105	79	52	55	42	28	71	53	35	110	83	55	62	46	31
L/360	36	27	18	49	37	25	30	23	15	39	29	19	55	41	28	3		

SECTION >>>>	1200JR350-68			1200JR350-97			1400JR200-54			1400JR200-68			1400JR200-97			1400JR250-54			
	Joist Spacing (in.) o.c.			Joist Spacing (in.) o.c.			Joist Spacing (in.) o.c.			Joist Spacing (in.) o.c.			Joist Spacing (in.) o.c.			Joist Spacing (in.) o.c.			
SPAN, L (ft)	12	16	24	12	16	24	12	16	24	12	16	24	12	16	24	12	16	24	
8 STRENGTH	414	311	207	786	589	393													
	L/360	2345	1758	1172	3333	2500	1667												
	L/480	1758	1319	879	2500	1875	1250												
9 STRENGTH	368	276	184	698	524	349													
	L/360	1647	1235	823	2341	1756	1171												
	L/480	1235	926	618	1756	1317	878												
10 STRENGTH	332	249	166	629	471	314	265	199	133	416	312	208	822	616	411	265	199	133	
	L/360	1200	900	600	1707	1280	853	1061	796	531	1317	988	659	1820	1365	910	1173	880	587
	L/480	900	675	450	1280	960	640	796	597	398	988	741	494	1365	1024	683	880	660	440
11 STRENGTH	301	226	151	571	429	286	241	181	121	378	283	189	747	560	373	241	181	121	
	L/360	902	676	451	1282	962	641	797	598	399	990	742	495	1368	1026	684	881	661	441
	L/480	676	507	338	962	721	481	598	449	299	742	557	371	1026	769	513	661	496	330
12 STRENGTH	276	207	138	524	393	262	221	166	111	346	260	173	685	514	342	221	166	111	
	L/360	695	521	347	988	741	494	614	461	307	762	572	381	1053	790	527	679	509	339
	L/480	521	391	261	741	556	370	461	345	230	572	429	286	790	593	395	509	382	255
13 STRENGTH	255	191	128	484	363	242	204	153	102	320	240	160	632	474	316	204	153	102	
	L/360	546	410	273	777	583	388	483	362	242	599	450	300	828	621	414	534	400	267
	L/480	410	307	205	583	437	291	362	272	181	450	337	225	621	466	311	400	300	200
14 STRENGTH	237	178	118	449	337	225	190	142	95	297	223	148	570	428	285	190	142	95	
	L/360	437	328	219	622	466	311	387	290	193	480	360	240	663	497	332	427	321	214
	L/480	328	246	164	466	350	233	290	218	145	360	270	180	497	373	249	321	240	160
15 STRENGTH	221	166	111	419	314	210	177	133	88	277	208	139	497	372	248	177	133	88	
	L/360	356	267	178	506	379	253	314	236	157	390	293	195	539	404	270	348	261	174
	L/480	267	200	133	379	284	190	236	177	118	293	220	146	404	303	202	261	196	130
16 STRENGTH	207	155	104	393	295	196	166	124	83	260	195	130	436	327	218	166	124	83	
	L/360	293	220	147	417	312	208	259	194	130	322	241	161	444	333	222	286	215	143
	L/480	220	165	110	312	234	156	194	146	97	241	181	121	333	250	167	215	161	107
17 STRENGTH	195	146	98	370	277	185	156	117	78	244	183	122	387	290	193	156	117	78	
	L/360	244	183	122	347	261	174	216	162	108	288	201	134	370	278	185	239	179	119
	L/480	183	137	92	261	195	130	162	122	81	201	151	101	278	208	139	179	134	90
18 STRENGTH	184	138	92	334	250	167	147	111	74	231	173	115	345	259	172	147	111	74	
	L/360	206	154	103	293	219	146	182	136	91	226	169	113	312	234	156	201	151	101
	L/480	154	116	77	219	165	110	136	102	68	169	127	85	234	176	117	151	113	75
19 STRENGTH	175	131	87	300	225	150	140	105	70	219	164	109	310	232	155	140	105	70	
	L/360	175	131	88	249	187	124	155	116	77	192	144	96	265	199	133	171	128	86
	L/480	131	98	66	187	140	93	116	87	58	144	108	72	199	149	100	128	96	64
20 STRENGTH	166	124	83	270	203	135	133	100	66	202	152	101	279	209	140	133	100	66	
	L/360	150	113	75	213	160	107	133	99	66	165	123	82	228	171	114	147	110	73
	L/480	113	84	56	160	120	80	99	75	50	123	93	62	171	128	85	110	82	55
21 STRENGTH	158	118	79	245	184	123	126	95	63	183	137	92	253	190	127	126	95	63	
	L/360	130	97	65	184	138	92	115	86	57	142	107	71	197	147	98	127	95	63
	L/480	97	73	49	138	104	69	86	64	43	107	80	53	147	111	74	95	71	47
22 STRENGTH	151	113	75	224	168	112	121	90	60	167	125	84	231	173	115	121	90	60	
	L/360	113	85	56	160	120	80	100	75	50	124	93	62	171	128	85	110	83	55
	L/480	85	63	42	120	90	60	75	56	37	93	70	46	128	96	64	83	62	41
23 STRENGTH	140	105	70	205	153	102	115	87	58	153	115	76	211	158	106	115	87	58	
	L/360	99	74	49	140	105	70	87	65	44	108	81	54	150	112	75	96	72	48
	L/480	74	55	37	105	79	53	65	49	33	81	61	41	112	84	56	72	54	36
24 STRENGTH	129	96	64	188	141	94	109	82	55	140	105	70	194	145	97	111	83	55	
	L/360	87	65	43	123	93	62	77	58	38	95	71	48	132	99	66	85	64	42
	L/480	65	49	33	93	69	46	58	43	29	71	54	36	99	74	49	64	48	32
25 STRENGTH	119	89	59	173	130	87	101	75	50	129	97	65	179	134	89	102	77	51	
	L/360	77	58	38	109	82	55	68	51	34	84	63	42	116	87	58	75	56	38
	L/480	58	43	29	82	61	41	51	38	25	63	47	32	87	66	44	56	42	28
26 STRENGTH	110	82	55	160	120	80	93	70	46	120	90	60	165	124	83	95	71	47	
	L/360	68	51	34	97	73	49	60	45	30	75	56	37	104	78	52	67	50	33
	L/480	51	38	26	73	55	36	45	34	23	56	42	28	78	58	39	50	38	25
27 STRENGTH	102	76	51	148	111	74	86	65	43	111	83	55	153	115	77	88	66	44	
	L/360	61	46	30	87	65	43	54	40	27	67	50	33	92	69	46	60	45	30
	L/480	46	34	23	65	49	33	40	30	20	50	38	25	69	52	35	45	34	22
28 STRENGTH	94	71	47	138	104	69	80	60	40	103	77	52	143	107	71	82	61	41	
	L/360	55	41	27	78	58	39	48	36	24	60	45	30	83	62	41	53	40	27
	L/480	41	31	21	58	44	29	36	27	18	45	34	22	62	47	31	40	30	20
29 STRENGTH	88	66	44	129	96	64	75	56	37	96	72	48	133	100	66	76	57	38	
	L/360	49	37	25	70	52	35	44	33	22	54	41	27	75	56	37	48	36	24
	L/480	37	28	18	52	39	26	33	24	16	41	30	20	56	42	28	36	27	18
30 STRENGTH	82	62	41	120	90	60	70	52	35	90	67	45	124	93	62	71	53	36	
	L/360	44	33	22	63	47	32	39	29	20	49	37	24	67	51	34	43	33	22
	L/480	33	25	17	47	36	24	29	22	15	37	27	18	51	38	25	33	24	16
31 STRENGTH	77	58	39	113	84	56	65	49	33	84	63	42	116	87	58	67	50	33	
	L/360	40	30	20	57	43	29	36	27	18	44	33	22	61	46	31	39	30	20
	L/480	30	23	15	43	32	21	27	20	13	33	25	17	46	34	23	30	22	15
32 STRENGTH	72	54	36	106	79	53	61	46	31	79	59	39	109	82	55	63	47	31	
	L/360	37	27	18	52	39	26	32	24	16	40	30	20	56	42	28	36	27	18
	L/480	27	21	14	39	29	20	24	18	12	30	23	15	42					

# Single Span Maximum Floor Joist Loads (PSF)



See p.9 for notes.

www.MarinoWARE.com

SECTION >>>	1400JR250-68			1400JR250-97			1400JR300-54			1400JR300-68			1400JR300-97			1400JR350-54		
	Joist Spacing (in.) o.c.									Joist Spacing (in.) o.c.								
	SPAN, L (ft)	12	16	24	12	16	24	12	16	24	12	16	24	12	16	24	12	16
10 STRENGTH	416	312	208	822	616	411	265	199	133	416	312	208	822	616	411	265	199	133
L/360	1468	1101	734	2035	1526	1017	1239	929	620	1573	1180	786	2249	1687	1125	1377	1033	689
L/480	1101	826	551	1526	1145	763	929	697	465	1180	895	590	1687	1265	844	1033	775	516
11 STRENGTH	378	283	189	747	560	373	241	181	121	378	283	189	747	560	373	241	181	121
L/360	1103	827	552	1529	1147	764	931	698	466	1182	886	591	1690	1268	845	1035	776	517
L/480	827	620	414	1147	860	573	698	524	349	886	665	443	1268	951	634	776	582	388
12 STRENGTH	346	260	173	685	514	342	221	166	111	346	260	173	685	514	342	221	166	111
L/360	850	637	425	1178	883	589	717	538	359	910	683	455	1302	976	651	797	598	398
L/480	637	478	319	883	662	442	538	403	269	683	512	341	976	732	488	598	448	299
13 STRENGTH	320	240	160	632	474	316	204	153	102	320	240	160	632	474	316	204	153	102
L/360	668	501	334	926	695	463	564	423	282	716	537	358	1024	768	512	627	470	313
L/480	501	376	251	695	521	347	423	317	212	537	403	268	768	576	384	470	353	235
14 STRENGTH	297	223	148	587	440	293	190	142	95	297	223	148	587	440	293	190	142	95
L/360	535	401	268	742	556	371	452	339	226	573	430	287	820	615	410	502	376	251
L/480	401	301	201	556	417	278	339	254	169	430	322	215	615	461	307	376	282	188
15 STRENGTH	277	208	139	548	411	274	177	133	88	277	208	139	548	411	274	177	133	88
L/360	435	326	218	603	452	301	367	275	184	466	350	233	666	500	333	408	306	204
L/480	326	245	163	452	339	226	275	207	138	350	262	175	500	375	250	306	230	153
16 STRENGTH	260	195	130	483	362	242	166	124	83	260	195	130	505	379	253	166	124	83
L/360	358	269	179	497	373	248	303	227	151	384	288	192	549	412	275	336	252	168
L/480	269	202	134	373	279	186	227	170	113	288	216	144	412	309	206	252	189	126
17 STRENGTH	244	183	122	428	321	214	156	117	78	244	183	122	448	336	224	156	117	78
L/360	299	224	149	414	311	207	252	189	126	320	240	160	458	343	229	280	210	140
L/480	224	168	112	311	233	155	189	142	95	240	180	120	343	258	172	210	158	105
18 STRENGTH	231	173	115	382	286	191	147	111	74	231	173	115	399	299	200	147	111	74
L/360	252	189	126	349	262	174	212	159	106	270	202	135	386	289	193	236	177	118
L/480	189	142	94	262	196	131	159	120	80	202	152	101	289	217	145	177	133	89
19 STRENGTH	219	164	109	343	257	171	140	105	70	219	164	109	358	269	179	140	105	70
L/360	214	161	107	297	222	148	181	135	90	229	172	115	328	246	164	201	151	100
L/480	161	120	80	222	167	111	135	102	68	172	129	86	246	184	123	151	113	75
20 STRENGTH	205	154	102	309	232	155	133	100	66	205	154	102	323	243	162	133	100	66
L/360	184	138	92	254	191	127	155	116	77	197	147	98	281	211	141	172	129	86
L/480	138	103	69	191	143	95	116	87	58	147	111	74	211	158	105	129	97	65
21 STRENGTH	186	139	93	280	210	140	126	95	63	191	143	95	293	220	147	126	95	63
L/360	159	119	79	220	165	110	134	100	67	170	127	85	243	182	121	149	112	74
L/480	119	89	59	165	124	82	100	75	50	127	96	64	182	137	91	112	84	56
22 STRENGTH	169	127	85	256	192	128	121	90	60	174	130	87	267	200	134	121	90	60
L/360	138	103	69	191	143	96	116	87	58	148	111	74	211	158	106	129	97	65
L/480	103	78	52	143	107	72	87	65	44	111	83	55	158	119	79	97	73	49
23 STRENGTH	155	116	77	234	175	117	115	87	58	159	119	80	245	183	122	115	87	58
L/360	121	91	60	167	125	84	102	76	51	129	97	65	185	139	92	113	85	57
L/480	91	68	45	125	94	63	76	57	38	97	73	48	139	104	69	85	64	42
24 STRENGTH	142	107	71	215	161	107	111	83	55	146	110	73	225	168	112	111	83	55
L/360	106	80	53	147	110	74	90	67	45	114	85	57	163	122	81	100	75	50
L/480	80	60	40	110	83	55	67	50	34	85	64	43	122	92	61	75	56	37
25 STRENGTH	131	98	66	198	148	99	104	78	52	135	101	67	207	155	103	106	80	53
L/360	94	70	47	130	98	65	79	59	40	101	75	50	144	108	72	88	66	44
L/480	70	53	35	98	73	49	59	45	30	75	57	38	108	81	54	66	50	33
26 STRENGTH	121	91	61	183	137	91	97	72	48	124	93	62	191	144	96	102	77	51
L/360	84	63	42	116	87	58	71	53	35	89	67	45	128	96	64	78	59	39
L/480	63	47	31	87	65	43	53	40	26	67	50	34	96	72	48	59	44	29
27 STRENGTH	112	84	56	170	127	85	90	67	45	115	87	58	177	133	89	98	74	49
L/360	75	56	37	103	78	52	63	47	31	80	60	40	114	86	57	70	52	35
L/480	56	42	28	78	58	39	47	35	24	60	45	30	86	64	43	52	39	26
28 STRENGTH	105	78	52	158	118	79	83	62	42	107	80	54	165	124	82	92	69	46
L/360	67	50	33	93	70	46	56	42	28	72	54	36	102	77	51	63	47	31
L/480	50	38	25	70	52	35	42	32	21	54	40	27	77	58	38	47	35	24
29 STRENGTH	97	73	49	147	110	74	78	58	39	100	75	50	154	115	77	86	64	43
L/360	60	45	30	83	63	42	51	38	25	64	48	32	92	69	46	56	42	28
L/480	45	34	23	63	47	31	38	29	19	48	36	24	69	52	35	42	32	21
30 STRENGTH	91	68	46	137	103	69	73	54	36	93	70	47	144	108	72	80	60	40
L/360	54	41	27	75	57	38	46	34	23	58	44	29	83	62	42	51	38	26
L/480	41	31	20	57	42	28	34	26	17	44	33	22	62	47	31	38	29	19
31 STRENGTH	85	64	43	129	97	64	68	51	34	88	66	44	135	101	67	75	56	38
L/360	49	37	25	68	51	34	42	31	21	53	40	26	76	57	38	46	35	23
L/480	37	28	18	51	38	26	31	23	16	40	30	20	57	42	28	35	26	17
32 STRENGTH	80	60	40	121	91	60	64	48	32	82	62	41	126	95	63	71	53	35
L/360	45	34	22	62	47	31	38	28	19	48	36	24	69	51	34	42	32	21
L/480	34	25	17	47	35	23	28	21	14	36	27	18	51	39	26	32	24	16
33 STRENGTH	75	56	38	114	85	57	60	45	30	77	58	39	119	89	59	66	50	33
L/360	41	31	20	57	42	28	34	26	17	44	33	22	63	47	31	38	29	19
L/480	31	23	15	42	32	21	26	19	13	33	25	16	47	35	23	29	22	14
34 STRENGTH	71	53	35	107	80	53	56	42	28	73	55	36	112	84	56	63	47	31
L/360	37	28	19	52	39	26	32	24	16	40	30	20	57	43	29	35	26	18
L/480	28	21	14	39	29	19	24	18	12	30	23	15	43	32	21	26	20	13
35 STRENGTH	67	50																

See p.9 for notes.

Table with columns for SECTION, Joist Spacing (in.) o.c., and Joist Spacing (in.) o.c. for various joist sizes (L/360, L/480) across different section types (10 STRENGTH to 45 STRENGTH).

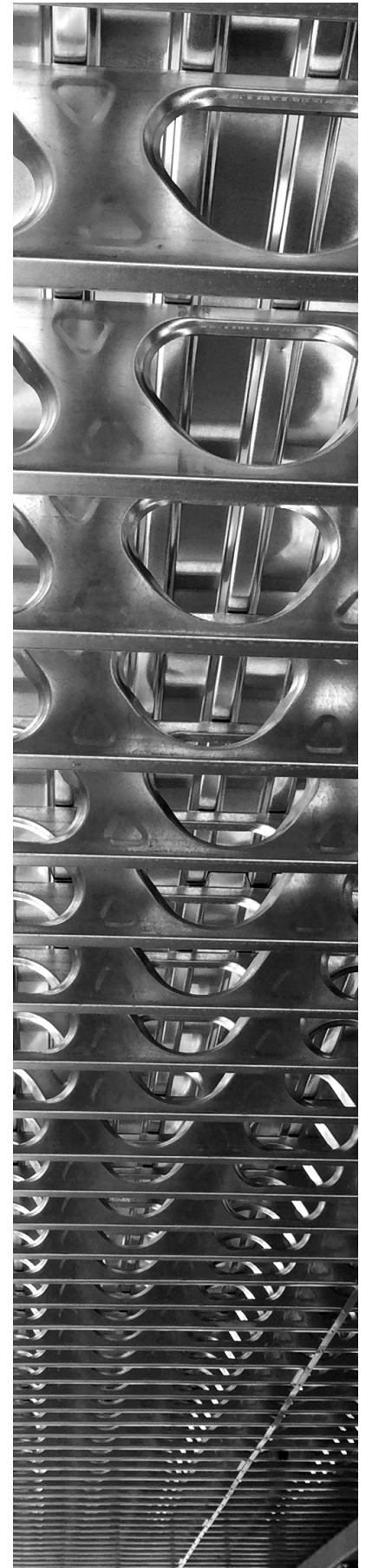
# Single Span Maximum Floor Joist Loads (PSF)

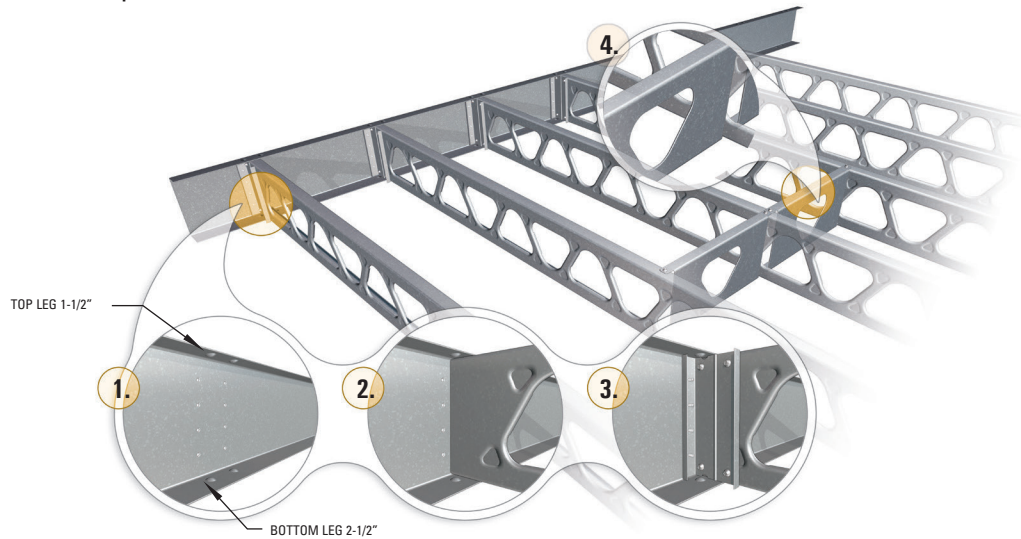


See p.9 for notes.

www.MarinoWARE.com

SECTION >>>	1600JR300-68			1600JR300-97			1600JR350-68			1600JR350-97		
	Joist Spacing (in.) o.c.			Joist Spacing (in.) o.c.			Joist Spacing (in.) o.c.			Joist Spacing (in.) o.c.		
	12	16	24	12	16	24	12	16	24	12	16	24
<b>12 STRENGTH</b>	427	320	213	854	641	427	427	320	213	854	641	427
L/360	1290	968	645	1847	1386	924	1456	1092	728	2075	1556	1038
L/480	968	726	484	1386	1039	693	1092	819	546	1556	1167	778
<b>13 STRENGTH</b>	394	295	197	788	591	394	394	295	197	788	591	394
L/360	1015	761	507	1453	1090	727	1145	859	573	1632	1224	816
L/480	761	571	381	1090	817	545	859	644	429	1224	918	612
<b>14 STRENGTH</b>	366	274	183	732	549	366	366	274	183	732	549	366
L/360	813	609	406	1163	873	582	917	688	458	1307	980	653
L/480	609	457	305	873	654	436	688	516	344	980	735	490
<b>15 STRENGTH</b>	341	256	171	683	512	342	341	256	171	683	512	342
L/360	661	495	330	946	709	473	745	559	373	1063	797	531
L/480	495	372	248	709	532	355	559	419	280	797	598	398
<b>16 STRENGTH</b>	320	240	160	631	474	316	320	240	160	641	480	320
L/360	544	408	272	779	585	390	614	461	307	875	657	438
L/480	408	306	204	585	438	292	461	346	230	657	492	328
<b>17 STRENGTH</b>	301	226	151	559	419	280	301	226	151	603	452	301
L/360	454	340	227	650	487	325	512	384	256	730	547	365
L/480	340	255	170	487	365	244	384	288	192	547	411	274
<b>18 STRENGTH</b>	284	213	142	499	374	249	284	213	142	538	404	269
L/360	382	287	191	547	411	274	431	324	216	615	461	307
L/480	287	215	143	411	308	205	324	243	162	461	346	231
<b>19 STRENGTH</b>	270	202	135	448	336	224	270	202	135	483	362	241
L/360	325	244	163	465	349	233	367	275	183	523	392	261
L/480	244	183	122	349	262	175	275	206	138	392	294	196
<b>20 STRENGTH</b>	253	189	126	404	303	202	256	192	128	436	327	218
L/360	279	209	139	399	299	200	314	236	157	448	336	224
L/480	209	157	105	299	224	150	236	177	118	336	252	168
<b>21 STRENGTH</b>	229	172	115	367	275	183	244	183	122	395	297	198
L/360	241	181	120	345	259	172	272	204	136	387	290	194
L/480	181	135	90	259	194	129	204	153	102	290	218	145
<b>22 STRENGTH</b>	209	157	104	334	250	167	233	175	116	360	270	180
L/360	209	157	105	300	225	150	236	177	118	337	253	168
L/480	157	118	79	225	169	112	177	133	89	253	189	126
<b>23 STRENGTH</b>	191	143	95	306	229	153	217	163	109	330	247	165
L/360	183	137	92	262	197	131	207	155	103	295	221	147
L/480	137	103	69	197	148	98	155	116	79	221	166	111
<b>24 STRENGTH</b>	175	132	88	281	210	140	200	150	100	303	227	151
L/360	161	121	81	231	173	115	182	136	91	259	195	130
L/480	121	91	60	173	130	87	136	102	68	195	146	97
<b>25 STRENGTH</b>	162	121	81	259	194	129	184	138	92	279	209	139
L/360	143	107	71	204	153	102	161	121	81	230	172	115
L/480	107	80	54	153	115	77	121	91	60	172	129	86
<b>26 STRENGTH</b>	149	112	75	239	179	120	170	128	85	258	193	129
L/360	127	95	63	182	136	91	143	107	72	204	153	102
L/480	95	71	48	136	102	68	107	81	54	153	115	77
<b>27 STRENGTH</b>	139	104	69	222	166	111	158	118	79	239	179	120
L/360	113	85	57	162	122	81	128	96	64	182	137	91
L/480	85	64	42	122	91	61	96	72	48	137	102	68
<b>28 STRENGTH</b>	129	97	64	206	155	103	147	110	73	222	167	111
L/360	102	76	51	145	109	73	115	86	57	163	123	82
L/480	76	57	38	109	82	55	86	64	43	123	92	61
<b>29 STRENGTH</b>	120	90	60	192	144	96	137	102	68	207	155	104
L/360	91	69	46	131	98	65	103	77	52	147	110	74
L/480	69	51	34	98	74	49	77	58	39	110	83	55
<b>30 STRENGTH</b>	112	84	56	180	135	90	128	96	64	194	145	97
L/360	83	62	41	118	89	59	93	70	47	133	100	66
L/480	62	46	31	89	67	44	70	52	35	100	75	50
<b>31 STRENGTH</b>	105	79	53	168	126	84	120	90	60	181	136	91
L/360	75	56	37	107	80	54	84	63	42	120	90	60
L/480	56	42	28	80	60	40	63	48	32	90	68	45
<b>32 STRENGTH</b>	99	74	49	158	118	79	112	84	56	170	128	85
L/360	68	51	34	97	73	49	77	58	38	109	82	55
L/480	51	38	26	73	55	37	58	43	29	82	62	41
<b>33 STRENGTH</b>	93	70	46	148	111	74	106	79	53	160	120	80
L/360	62	47	31	89	67	44	70	53	35	100	75	50
L/480	47	35	23	67	50	33	53	39	26	75	56	37
<b>34 STRENGTH</b>	87	66	44	140	105	70	99	75	50	151	113	75
L/360	57	43	28	81	61	41	64	48	32	91	68	46
L/480	43	32	21	61	46	30	48	36	24	68	51	34
<b>35 STRENGTH</b>	82	62	41	132	99	66	94	70	47	142	107	71
L/360	52	39	26	74	56	37	59	44	29	84	63	42
L/480	39	29	20	56	42	28	44	33	22	63	47	31
<b>36 STRENGTH</b>	78	58	39	125	94	62	89	67	44	135	101	67
L/360	48	36	24	68	51	34	54	40	27	77	58	38
L/480	36	27	18	51	38	26	40	30	20	58	43	29
<b>37 STRENGTH</b>	74	55	37	118	89	59	84	63	42	127	96	64
L/360	44	33	22	63	47	32	50	37	25	71	53	35
L/480	33	25	17	47	35	24	37	28	19	53	40	27
<b>38 STRENGTH</b>	70	52	35	112	84	56	80	60	40	121	91	60
L/360	41	30	20	58	44	29	46	34	23	65	49	33
L/480	30	23	15	44	33	22	34	26	17	49	37	25
<b>39 STRENGTH</b>	66	50	33	106	80	53	76	57	38	115	86	57
L/360	38	28	19	54	40	27	42	32	21	60	45	30
L/480	28	21	14	40	30	20	32	24	16	45	34	23
<b>40 STRENGTH</b>	63	47	32	101	76	51	72	54	36	109	82	54
L/360	35	26	17	50	37	25	39	29	20	56	42	28
L/480	26	20	13	37	28	19	29	22	15	42	32	21
<b>41 STRENGTH</b>	60	45	30	96	72	48	68	51	34	104	78	52
L/360	32	24	16	46	35	23	37	27	18	52	39	26
L/480	24	18	12	35	26	17	27	21	14	39	29	20
<b>42 STRENGTH</b>	57	43	29	92	69	46	65	49	33	99	74	49
L/360	30	23	15	43	32	22	34	25	17	48	36	24
L/480	23	17	11	32	24	16	25	19	13	36	27	18
<b>43 STRENGTH</b>	55	41	27	87	66	44	62	47	31	94	71	47
L/360	28	21	14	40	30	20	32	24	16	45	34	23
L/480	21	16	11	30	23	15	24	18	12	34	25	17
<b>44 STRENGTH</b>	52	39	26	83	63	42	59	45	30	90	68	45
L/360	26	20	13	37	28	19	30	22	15	42	32	21
L/480	20	15	10	28	21	14	22	17	11	32	24	16
<b>45 STRENGTH</b>	50	37	25	80	60	40	57	43	28	86	65	43
L/360	24	18	12	35	26	18	28	21	14	39	30	20
L/480	18	14	9	26	20	13	21	16	10	30	22	15





**1. JoistRite Track (16ga - 54 mil, 2" flange joists only)**

- Preset spacing for joists - built in "dimples," located at conventional intervals along the track, surround the joist for wasy initial placement.
- Predrilled holes - act as guides that assist in lining up components while eliminating the need to fasten screws through both joist and track.
- 12' lengths standard, longer special lengths available in 4' increments.
- For joist web sizes 8", 10", 12", & 14" only.

**2. Tract and Joist**

- Exclusive Snap-Lock technology - allows joists to lock into place with little effort and with less labor.

**3. Web Stiffeners**

- JoistRite Web Stiffeners are the very first to come with pre-drilled holes and precut to fit standard joist sizes, allowing for easier installation.

**4. Blocking**

- Unlike traditional blocking, JoistRite Blocking comes equipped with unique tabs that eliminate the need for additional accessory clips and fasteners - and additional clamping or fastening. The product is also precut to fit between the joists, resulting in more stability based on less labor.

**SOLID BLOCKING (JB)**

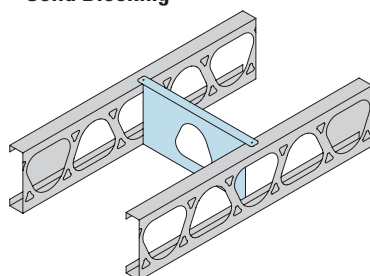
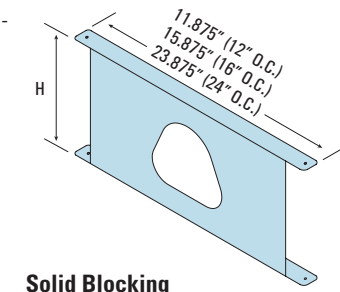
**MATERIAL:** 16 ga (54 mil) 50ksi

**FINISH:** Galvanized - G90

**INSTALLATION:**

- Position to pre-cut Joist Blocking to fit securely between the joist.
- (4)#10 - 16 screws are required to secure the blocking to the joist flanges using the pre-punched holes.
- Solid blocking should be installed 7' o.c. maximum along the joist length.
- Fits up to 2" flange joist product.
- Blocking 2-1/2" and 3" flanges available as a special order.

Model No.	Size (H)	Spacing (o.c.)	Box Quantity
800JB-12	8"	12	10
925JB-12	9-1/4"	12	10
1000JB-12	10"	12	10
1125JB-12	11-1/4"	12	10
1200JB-12	12"	12	10
1400JB-12	14"	12	10
800JB-16	8"	16	10
925JB-16	9-1/4"	16	10
1000JB-16	10"	16	10
1125JB-16	11-1/4"	16	10
1200JB-16	12"	16	10
1400JB-16	14"	16	10
800JB-24	8"	24	10
925JB-24	9-1/4"	24	10
1000JB-24	10"	24	10
1125JB-24	11-1/4"	24	10
1200JB-24	12"	24	10
1400JB-24	14"	24	10



**WEB STIFFENER (JS)**

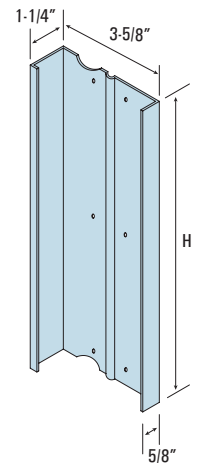
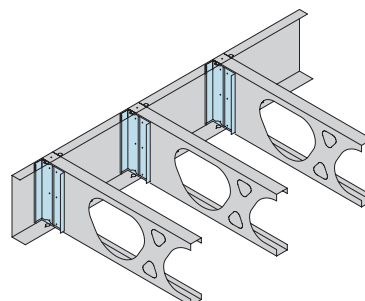
**MATERIAL:** 16 ga (54 mil) 50ksi

**FINISH:** Galvanized - G90

**INSTALLATION:**

- Web stiffeners are centered within the load or reaction bearing width.
- Web stiffeners require full bearing along their supported ends.
- (4-6)#10 - 16 screws are required to attach the stiffener to the joist web using pre-punched holes.

Model No.	Joist Size	Height (H)	Box Quantity
8JS-362	8"	7-11/16"	24
925JS-362	9-1/4"	8-15/16"	24
10JS-362	10"	9-11/16"	24
1125JS-362	11-1/4"	10-15/16"	24
12JS-362	12"	11-11/16"	24
14JS-362	14"	13-11/16"	24



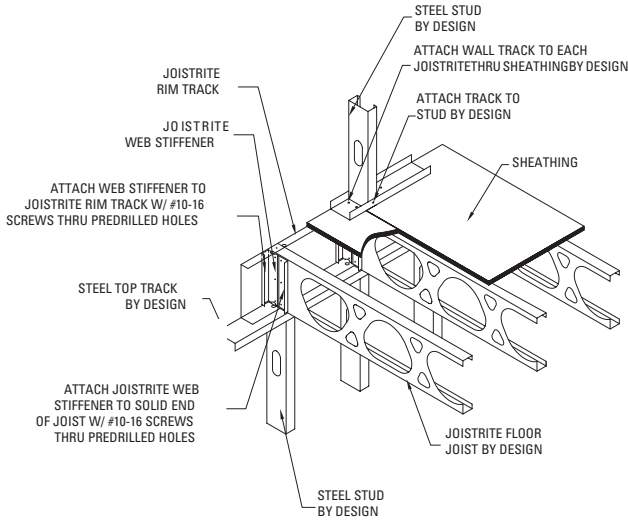
**Web Stiffener**

**NOTE:** THESE SUGGESTED DETAILS SHOULD BE VERIFIED BY THE DESIGNER OF RECORD

**NOTE:** FIRE RATED ASSEMBLIES MAY HAVE DIFFERENT REQUIREMENTS FROM THESE STANDARD DETAILS. FIRE RATED DESIGN REQUIREMENTS SUPERSEDE THESE DETAILS.

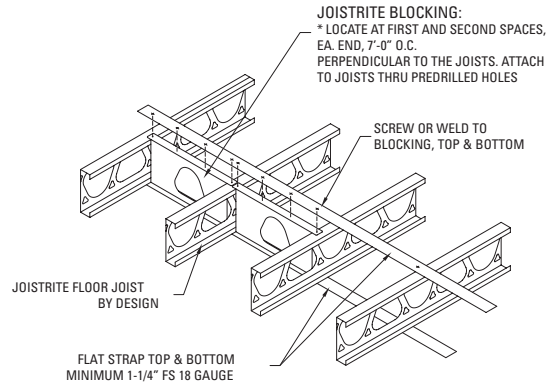
**1. JOISTRITE BEARING ON STEEL STUD**

**NOTE:** LOAD-BEARING WALL FRAMING ABOVE AND BELOW MUST ALIGN WITH JOISTS. OTHERWISE E.O.R. REVIEW REQUIRED TO VERIFY WALL LOAD IS TRANSFERRED AT JOIST LOCATIONS.

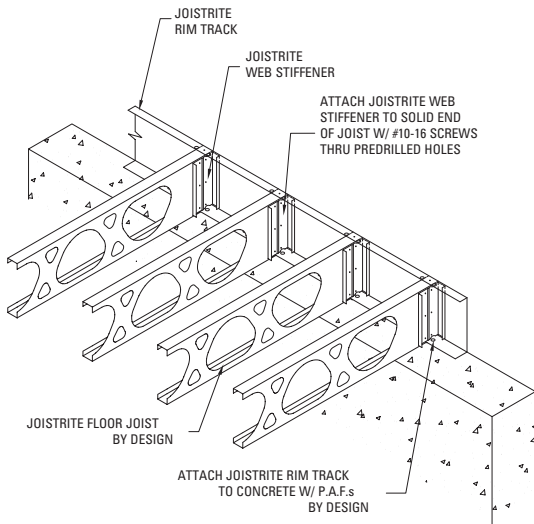


**2. JOISTRITE BRIDGING AND BLOCKING**

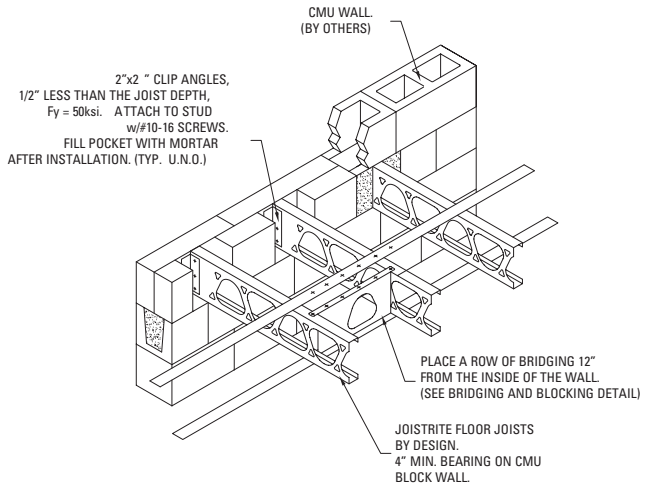
**NOTE:** TOP STRAP MAY BE ELIMINATED WITH THE PROPER ATTACHMENT OF DIAPHRAGM-RATED SHEATHING OR DECKING.



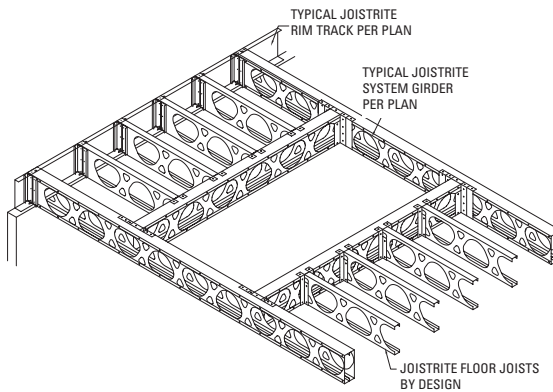
**3. JOISTRITE BEARING ON MASONRY**



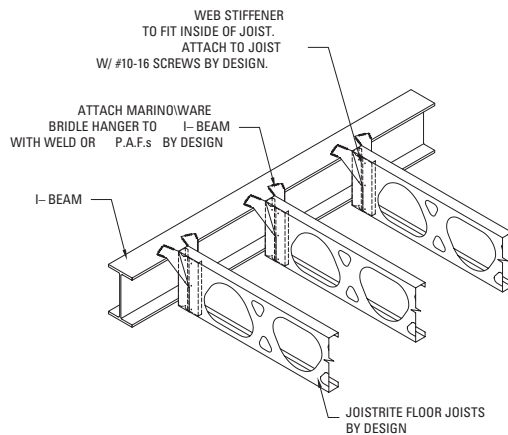
**4. JOISTRITE BEARING ON POKETED CMU WALL**



**5. TYPICAL JOISTRITE FLOOR OPENING**



**6. JOISTRITE CONNECTION TO I-BEAM**





Specialists in Cold-Formed Steel Framing, Fire, + Sound Solutions

# Safety Solutions

**JoistRite**

**StudRite**

**QuickFrame**

**SURE-BOARD**  
For Floor

Explore more solutions at [MarinoWARE.com/Safety-Solutions](https://MarinoWARE.com/Safety-Solutions)

**SURE-BOARD® FLOOR (SERIES 200SG)** | Designed to improve quality and increase efficiency, Sure-Board Floor 4' x 4' panels can be installed by a 1-person team, increasing safety and productivity.



**STUDRITE®** | Engineered with lip-reinforced knockouts, StudRite is lighter and easier to handle than traditional studs, providing increased productivity and safety.



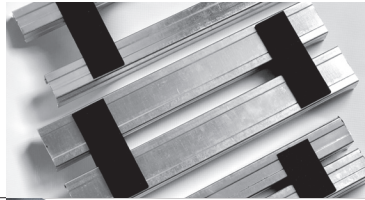
**QUICKFRAME®** | Developed to increase safety and reduce jobsite assembly time, a single QuickFrame member can replace built-up headers and jacks by up to 50%.



Specialists in Cold-Formed Steel Framing, Fire, + Sound Solutions



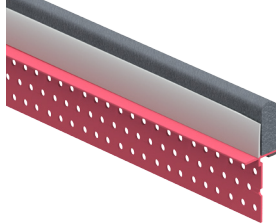
**SOUND GUARD**  
THE SILENT STEEL FRAMING SYSTEM



- Narrower allowable wall thicknesses with better or equal STC ratings
- Does not require additional bracing or resilient channel



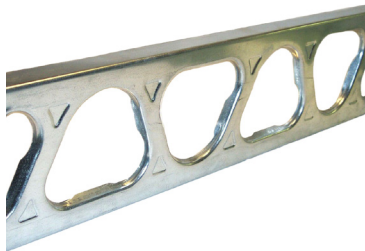
**MARINO WARE**  
**Firestopping**  
Fire Bead • Fire Gasket • HotRod XL



- Firestopping and sound control for building joints
- Innovative firestop devices for faster installation
- Prevents passage of fire, smoke and toxic fumes



**StudRite**  
**JoistRite**



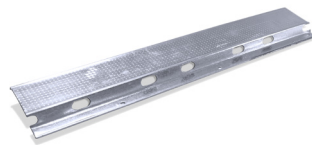
- High strength-to-mass ratio
- Easy to handle, increasing safety
- Increased structural performance due to lip reinforced triangular cutouts and embossments
- Efficient design for installing mechanical, electrical, plumbing, and other trades



- Unsurpassed resistance against loads imposed by seismic activity, hurricane force winds, fire, mold, impact and blast, while actively reducing sound transmission



**RC-MAX**



- RC-MAX is manufactured from 0.0190" 50 KSI steel for additional strength
- Offers economical means for controlling sound transmission



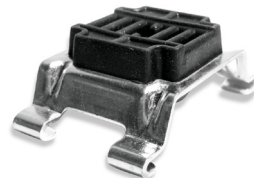
**ClipSource**



- A comprehensive line of connectors for cold formed steel framing
- Designed to facilitate quicker, more cost-effective installation, while making proper attachment of cold formed steel members easier



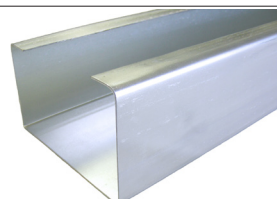
**GenieClip**



- Engineered for superior acoustical performance in reducing the transmission of airborne and impact sound through wall and floor/ceiling assemblies
- Easy and fast to install using standard steel furring channel



**QuickFrame**  
Rough Opening System



- Eliminates the need for multiple piece headers, jambs, and sills, reducing jobsite labor assembly time by up to 50%

## **YOUR SUCCESS DEPENDS ON QUALITY BUILDING PRODUCTS AND SO DOES OURS.**

For over 30 years, Marino\WARE® has served our customers with top quality cold-formed steel framing products that deliver solutions to construction challenges.

We are committed to providing a superior customer experience through a vast selection of readily available products, innovative solutions that reduce construction costs, products designed to increase jobsite safety, a knowledgeable sales team, comprehensive technical support and services, an extensive distribution network, and prompt delivery.

Our best-in-class product development team delivers innovative solutions to installation and cost challenges with products designed to save time, labor, and materials. In addition, we utilize the latest in roll forming techniques, maintain the latest level of technology available to the steel framing industry, and strictly adhere to all ASTM specifications.

At Marino\WARE, excellence extends beyond our products. The Marino\WARE DesignGroup™ delivers comprehensive technical support and engineering services, including professionally engineered stamped shop drawings, design and installation guidance for all Marino\WARE products, and expert advice in structural, nonstructural, fire-rated, and acoustic assemblies.

Marino\WARE is 100% American-owned and operated. We take pride in creating local jobs, supporting local communities, and manufacturing products that reflect the uncompromising skill and ethics of our professional team. We operate state-of-the-art production facilities in New Jersey, Georgia, and Indiana, as well as a sales office in New York.

Visit [MarinoWARE.com](http://MarinoWARE.com) to experience our full line of innovative solutions.

**For more information, please contact Marino\WARE® Technical Services at 866.545.1545**

This technical information reflects the most current information available and supersedes any and all previous publications effective June 28, 2025 | MW\_JoistRite\_Catalog | © WARE Industries, Inc. 2025

Marino\WARE® operates state-of-the-art production facilities in New Jersey, Georgia, and Indiana, as well as a sales office in New York.

**New Jersey Facility**  
400 Metuchen Road  
South Plainfield, NJ 07080  
800.627.4661  
908.757.9000  
Fax: 908.412.1442

**Georgia Facility**  
777 Greenbelt Parkway  
Griffin, GA 30223  
800.504.8199  
678.688.1312  
Fax: 678.688.1379

**Indiana Facility**  
4245 Railroad Avenue  
East Chicago, IN 46312  
866.636.6002  
219.378.7100  
Fax: 219.378.7106

**New York Sales Office**  
51 John St. Ste. 1  
Babylon, NY 11702  
800.627.4667  
631.691.2200  
Fax: 631.691.1492

**Marino\WARE® DesignGroup™**  
100 Hendrick Drive, Suite  
200  
McDonough, GA 30253  
866.545.1545  
678.688.7780  
Fax: 770.507.2605