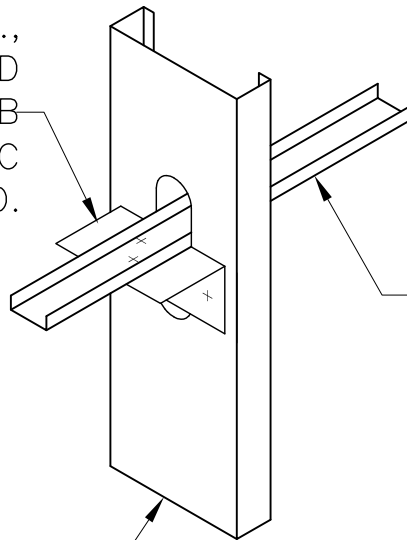


1-1/2" x 1-1/2" x 16ga.,
CLIP ANGLE FASTENED
W/(2) SCREWS TO STUD WEB
AND w/(2) SCREWS TO CRC
AS REQUIRED.



1-1/2" x 16ga.,
CRC SPACING
(BY DESIGN)

TYPICAL STUD,
SIZE AND GAUGE
(BY DESIGN)

CRC CONNECTION



Design Group

A Division of Ware Industries

100 Hendrick Dr., Suite 200, McDonough, GA 30253

The calculations and/or sketches contained herein are supplied solely to assist in the selection and/or analysis of Marino\WARE® products. The calculations and/or sketches are preliminary in nature and are not intended to replace the calculations and/or sketches and services of the Architect or Engineer of Record. Marino\WARE® in rendering such calculations and/or sketches shall in no way be deemed to assume any professional responsibility and hereby disclaims any and all such liability or obligation.