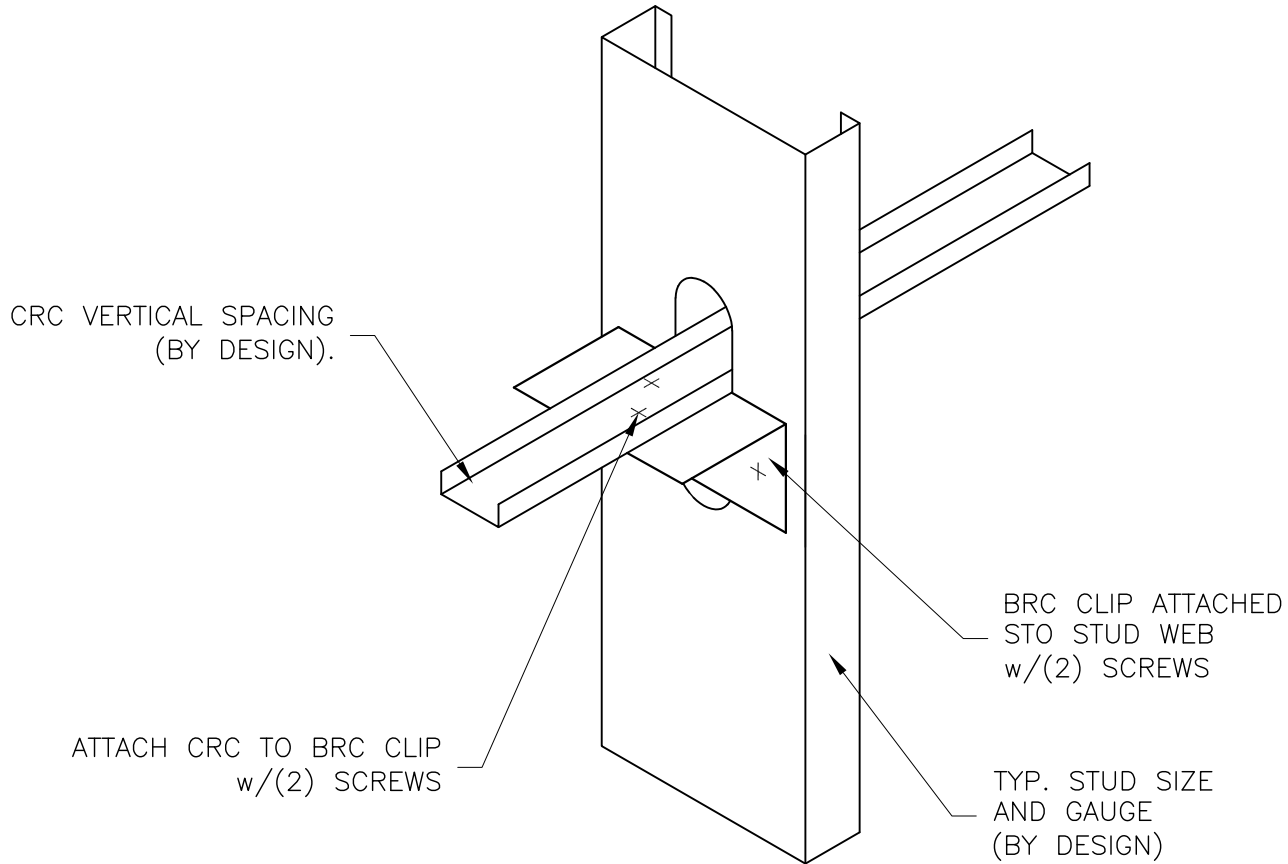


NOTES:

- 1.) THIS DETAIL SHALL NOT BE UTILIZED IF THE STUD DEPTH EXCEEDS 8".
- 2.) RIGID FACING MATERIAL APPLIED TO BOTH STUD FLANGES MAY BE UTILIZED IN LIEU OF U-CHANNEL, PROVIDED THE FOLLOWING CRITERIA:
 - A.) STUD HEIGHT DOES NOT EXCEED 16'-0".
 - B.) SHEATHING APPLIED TO BOTH STUD FLANGES FULL HEIGHT PER APPLICABLE ASTM STANDARDS.
 - C.) STUD SHALL BE BRACED IF ONE FLANGE IS TEMPORARILY UNSHEAHTED.
 - D.) STUD GAUGE IS A MAX. OF 16GA



CRC LATERAL BRACING



Design Group

A Division of Ware Industries

100 Hendrick Dr., Suite 200, McDonough, GA 30253

The calculations and/or sketches contained herein are supplied solely to assist in the selection and/or analysis of Marino\WARE® products. The calculations and/or sketches are preliminary in nature and are not intended to replace the calculations and/or sketches and services of the Architect or Engineer of Record. Marino\WARE® in rendering such calculations and/or sketches shall in no way be deemed to assume any professional responsibility and hereby disclaims any and all such liability or obligation.