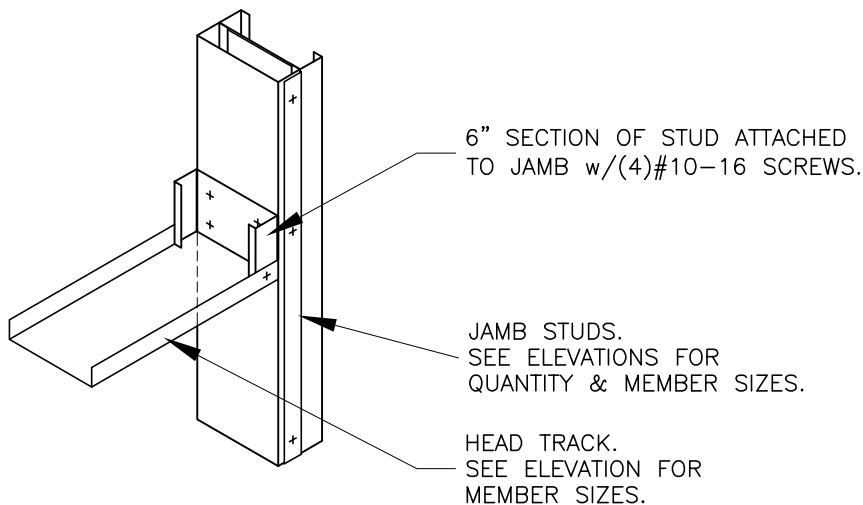


1 JAMB & HEAD CONNECTION
NON-AXIAL LOAD BEARING HEAD TRACK ATTACHED
USING CLIP ANGLE



2 JAMB & HEAD CONNECTION
NON-AXIAL LOAD BEARING HEAD TRACK ATTACHED
USING SECTION OF STUD

TRACK HEADER CONNECTION



Design Group

A Division of Ware Industries

100 Hendrick Dr., Suite 200, McDonough, GA 30253

TOLL FREE 1.866.545.1545 OR TECHNICALSERVICES@MARINOWARE.COM

The calculations and/or sketches contained herein are supplied solely to assist in the selection and/or analysis of Marino\WARE® products. The calculations and/or sketches are preliminary in nature and are not intended to replace the calculations and/or sketches and services of the Architect or Engineer of Record. Marino\WARE® in rendering such calculations and/or sketches shall in no way be deemed to assume any preprofessional responsibility and hereby disclaims any and all such liability or obligation.